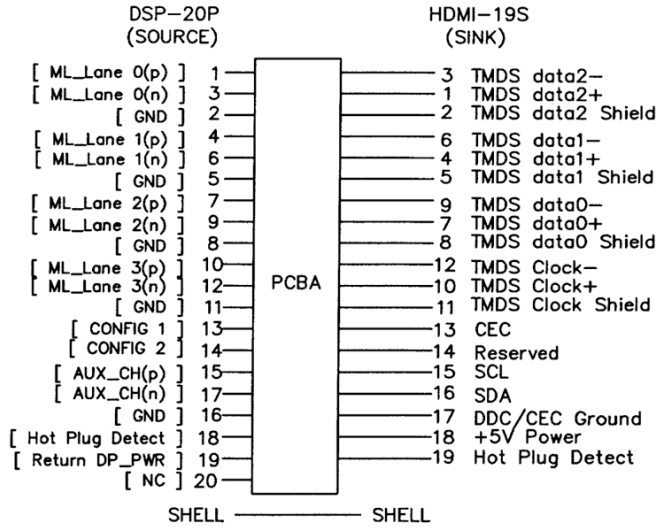


**PIN ASSIGNMENT:**



Notes.  
 1.Adapter Moulding No.:DM1/2-8641.  
 2.RO=RoHS Compliant Certified.  
 Electrical Character:  
 100% Function Testing.



No	Part No	Title	Description
6	GC300160	Foil	Copper Foil W30*L60mm-RO
5	GC340060	Tin	OD:1.0mm-RO
4	JB513960	PVC	PVC 45P-RO Black(T-000)
3	J1190010	PE	Transparent PE-RO
2	LA260160	Wire	UL1061 #26-RO L:35mm
1		Conn.	DSP-20P/HDMI-19S+PCBA-RO Shell Nickel Plated Connector Gold Plated 15u"

**PART NO.**  
 SERIES NO. P E 19 I 20 3 M 3 01 E  
 P=ADAPTER  
 CONNECTOR OPTION.  
 E=HDMI  
 CONNECTOR NUMBER.  
 CONNECTOR OPTION.  
 I=DSP  
 CONNECTOR NUMBER.  
 GREEN OPTION  
 E=RoHS  
 TYPE.  
 COVER COLOR.  
 3=BLACK  
 COVER OPTION.  
 M=MOLDED  
 CONTACT TYPE.  
 3=F/M

UNLESS OTHERWISE SPECIFIED TOLERANCE		<b>MC-COMPONENTS</b>
D. .0	±0.5	
.00	±0.3	
	±0.2	
SCALE: AS SHOWN	UNIT: mm	
DRAWN PEARL	05/13/09	DRAWN NAME: HDMI-19F/DSP-20M ADAPTER
CHECKED <i>Pearl</i>	05/15/09	
APPROVED <i>Joe</i>	05/15/09	PRODUCT NO. PE19I203M301E
REV. A	SIZE A4	FILE NAME: PE19I203M301E(25)

REV.	DESCRIPTION	DATE
A	ECN-0905087(Kuo)	05/12/09