

⑥⑤④③②①

Notes:
 1.Adapter Moulding No.:DM1/2-8641.
 2.RO=RoHS Compliant Certified.
 Electrical Character:
 100% Function Testing.

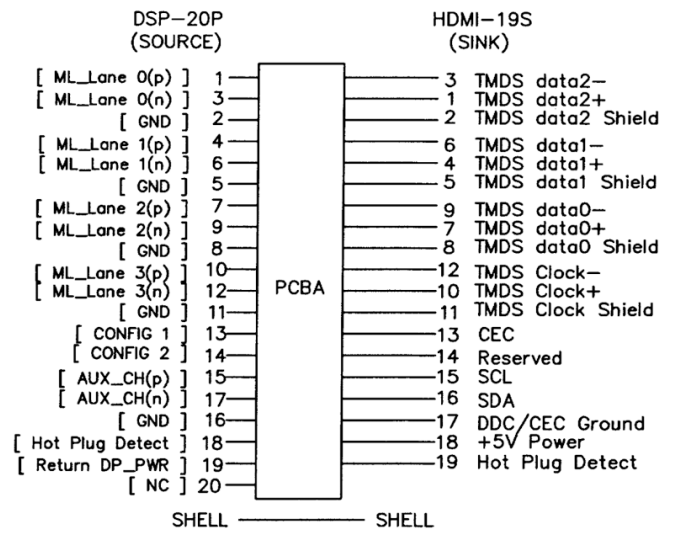
6	GC300160	Foil	Copper Foil W30*L60mm-RO
5	GC340060	Tin	OD:1.0mm-RO
4	JB513960	PVC	PVC 45P-RO Black(T-000)
3	J1190010	PE	Transparent PE-RO
2	LA260160	Wire	UL1061 #26-RO L:35mm
1		Conn.	DSP-20P/HDMI-19S+PCBA-RO Shell Nickel Plated Connector Gold Plated 15u"
No	Part No	Title	Description

PART NO.

SERIES NO. — P E 19 I 20 3 M 3 01 E — GREEN OPTION
 P=ADAPTER E=RoHS
 CONNECTOR OPTION. — TYPE.
 E=HDMI COVER COLOR.
 CONNECTOR NUMBER. — 3=BLACK
 CONNECTOR OPTION. — COVER OPTION.
 I=DSP M=MOLDED
 CONNECTOR NUMBER. — CONTACT TYPE.
 3=F/M



PIN ASSIGNMENT:



UNLESS OTHERWISE SPECIFIED TOLERANCE		MC-COMPONENTS
0.0	±0.5	
.0	±0.3	
.00	±0.2	
SCALE: AS SHOWN	UNIT: mm	
DRAWN PEARL	05/13/09	DRAWN NAME: HDMI-19F/DSP-20M ADAPTER
CHECKED <i>Rec</i>	05/15/09	
APPROVED <i>Joe</i>	05/15/09	PRODUCT NO. PE19I203M301E
SIZE A4	REV. A	FILE NAME: PE19I203M301E(25)

A	ECN-0905087(Kuo)	05/12/09
REV.	DESCRIPTION	DATE