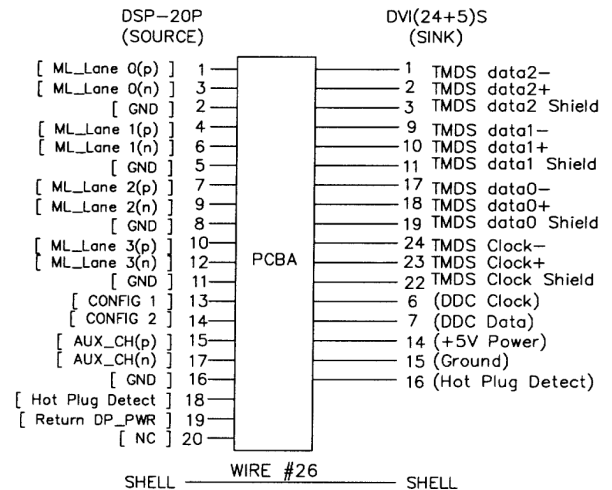


Note:  
 1.DSP-20P/DVI-(24+5)S Mould NO.:DM2-8651.  
 2.Key Mould NO:DM2-J201.  
 3.RO=RoHS Compliant Certified.  
 Electrical Character:  
 100% Function Testing.

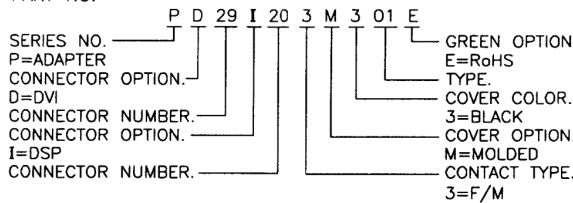


PIN ASSIGNMENT:



No	Part No	Title	Description
8	GC300180	Foil	Copper Foil W30*L60mm-RO
7		Key	PVC 20P-RO Black(T-000)
6	LA260160	Wire	WIRE UL1061 #26 Black L:45mm
5	GC710160	Hex Screw	#4-40UNC H4.75*10.1mm-RO Cap:4.8mm
4	JB513960	PVC	PVC 45P-RO Black(T-000)
3	J1190010	PE	Transparent PE-RO
2	GC340060	Tin	OD:1.0mm-RO
1		Conn.	DSP-20P/DVI-(24+5)S+PCBA-RO Shell Nickel Plated Connector Gold Plated 15u"

PART NO.



UNLESS OTHERWISE SPECIFIED TOLERANCE	
0.	±0.5
.0	±0.3
.00	±0.2

**MC-COMPONENTS**

SCALE: AS SHOWN UNIT: mm

DRAWN PEARL 05/13/09

DRAWN NAME: DVI-29F/DSP-20M ADAPTER

CHECKED [Signature] 05/15/09

APPROVED Joe 05/15/09

PRODUCT NO. PD29I203M301E

A ECN-0905086(Kuo)

05/12/09

SIZE A4 REV. A

FILE NAME: PD29I203M301E(25)

REV.

DESCRIPTION

DATE

SIZE

REV.

FILE NAME: