



92x92x38 mm

- Airflow: 80.5~117.3 CFM
- Static Pressure: 7.8~15.5 mm-H₂O
- Blade / Housing: Plastic Material UL 94V-0 P.B.T.
- Lead Wire: UL1007 #24 AWG
- Weight: 198.4 g



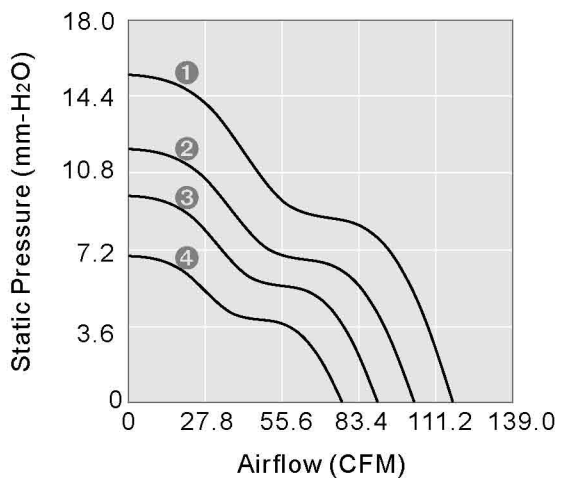
MC-COMPONENTS

Model No.	Bearing	Rated Voltage VDC	Operating Voltage Range VDC	Speed RPM	Max. Airflow CFM	Max. Static Pressure mm-H ₂ O	Current mA	Power Consumption W	Life at 40°C L10 Hour	P-Q Curve	Noise Level dB(A)
FD129238LB-P	2B	12	7~13.2	3300	80.5	7.8	450	5.40	80000	4	48.0
FD129238MB-P	2B		7~13.2	3800	92.6	10.9	640	7.68	80000	3	51.0
FD129238HB-P	2B		7~13.2	4300	102.9	11.9	950	11.40	75000	2	55.0
FD129238EB-P	2B		7~13.2	4900	117.3	15.5	1200	14.40	65000	1	57.0
FD249238LB-P	2B	24	12~26.4	3300	80.5	7.8	250	6.00	80000	4	48.0
FD249238MB-P	2B		12~26.4	3800	92.6	10.9	350	8.40	80000	3	51.0
FD249238HB-P	2B		12~26.4	4300	102.9	11.9	470	11.28	75000	2	55.0
FD249238EB-P	2B		12~26.4	4900	117.3	15.5	600	14.40	65000	1	57.0
FD489238LB-P	2B	48	24~56.0	3300	80.5	7.8	130	6.24	80000	4	48.0
FD489238MB-P	2B		24~56.0	3800	92.6	10.9	170	8.16	80000	3	51.0
FD489238HB-P	2B		24~56.0	4300	102.9	11.9	240	11.52	75000	2	55.0
FD489238EB-P	2B		24~56.0	4900	117.3	15.5	290	13.92	65000	1	57.0

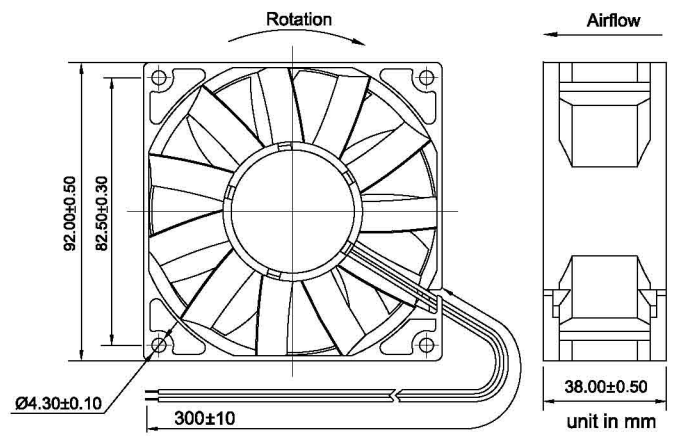
2B: 2-ball bearing BS: 1-ball 1-sleeve bearing L: sintetico bearing S: sleeve bearing

Voltage Available **Bearing System Available** **Function Available**
05 12 24 48 **2B L S** **N A I F R Q S T M V C P D W U**

PERFORMANCE P-Q CURVE



OUTLINE DIMENSIONS



Please refer to **Model Numbering System** for bearing, function and speed level indication. Specifications are subject to changes without notice. Please refer to the formally issued product specification via contacting Y.S. TECH sales department. Visit Y.S. TECH web site at <http://www.ystech.com.tw> for updated information. Customized Specifications are designed accordingly.