



92x92x32mm

- Airflow: 42.6~86.8 CFM
- Static Pressure: 3.5~14.3 mm-H₂O
- Blade / Housing: Plastic Material UL 94V-0 P.B.T.
- Lead Wire: UL1007 #22 AWG
- Weight: 183.0 g

MC-COMPONENTS

Model No.	Bearing	Rated Voltage VDC	Operating Voltage Range VDC	Speed RPM	Max. Airflow CFM	Max. Static Pressure mm-H ₂ O	Current mA	Power Consumption W	Life at 40°C L10 Hour	P-Q Curve	Noise Level dB(A)
FD129232LB	2B	12	7~13.2	2300	42.6	3.5	130	1.56	80000	4	34.0
FD129232MB	2B		7~13.2	3200	58.7	6.9	270	3.24	80000	3	42.5
FD129232HB	2B		7~13.2	4000	73.3	10.7	490	5.88	75000	2	47.0
FD129232EB	2B		7~13.2	4700	86.8	14.3	800	9.60	65000	1	51.0
FD249232LB	2B	24	12~26.4	2300	42.6	3.5	90	2.16	80000	4	34.0
FD249232MB	2B		12~26.4	3200	58.7	6.9	170	4.08	80000	3	42.5
FD249232HB	2B		12~26.4	4000	73.3	10.7	260	6.24	75000	2	47.0
FD249232EB	2B		12~26.4	4700	86.8	14.3	420	10.08	65000	1	51.0
FD489232LB	2B	48	24~56.0	2300	42.6	3.5	70	3.36	80000	4	34.0
FD489232MB	2B		24~56.0	3200	58.7	6.9	120	5.76	80000	3	42.5
FD489232HB	2B		24~56.0	4000	73.3	10.7	210	10.08	75000	2	47.0
FD489232EB	2B		24~56.0	4700	86.8	14.3	280	13.44	65000	1	51.0

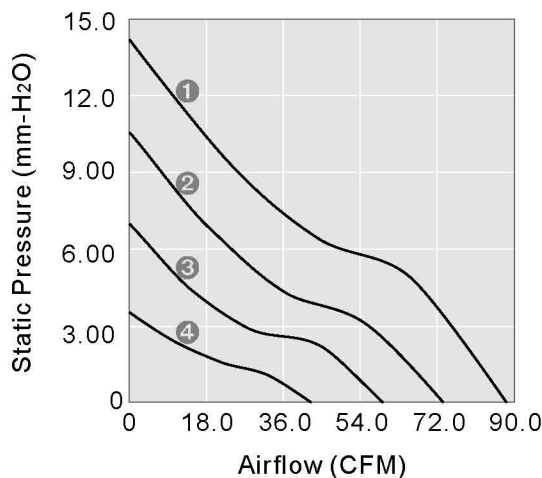
2B: 2-ball bearing BS: 1-ball 1-sleeve bearing L: sintetico bearing S: sleeve bearing

Voltage Available
05 12 24 48

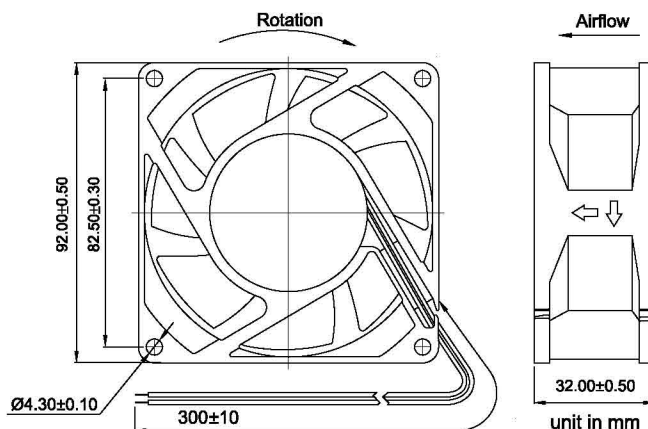
Bearing System Available
2B L S

Function Available
N A I F R Q S T M V C P D W U

PERFORMANCE P-Q CURVE



OUTLINE DIMENSIONS



Please refer to **Model Numbering System** for bearing, function and speed level indication. Specifications are subject to changes without notice. Please refer to the formally issued product specification via contacting Y.S. TECH sales department. Visit Y.S. TECH web site at <http://www.ystech.com.tw> for updated information. Customized Specifications are designed accordingly.