



# 92x92x25 mm

- Airflow: 45.8~73.4 CFM
- Static Pressure: 3.1~7.2 mm-H<sub>2</sub>O
- Blade / Housing: Plastic Material UL 94V-0 P.B.T.
- Lead Wire: UL1007 #24 AWG
- Weight: 100.0 g



**MC-COMPONENTS**

Model No.	Bearing	Rated Voltage VDC	Operating Voltage Range VDC	Speed RPM	Max. Airflow CFM	Max. Static Pressure mm-H <sub>2</sub> O	Current mA	Power Consumption W	Life at 40°C L10 Hour	P-Q Curve	Noise Level dB(A)
FD129225LS	S		7~13.2	2400	45.8	3.1	150	1.80	30000	5	32.5
FD129225MS	S		7~13.2	2800	53.5	4.3	220	2.64	30000	4	38.0
FD129225HS	S		7~13.2	3100	58.6	5.2	260	3.12	25000	3	40.0
FD129225ES	S		7~13.2	3500	67.3	5.9	340	4.08	20000	2	43.0
FD129225ES	S		7~13.2	3800	73.4	7.3	470	5.64	20000	1	45.5
FD129225LB	2B		7~13.2	2400	45.8	3.1	150	1.80	80000	5	32.5
FD129225MB	2B	12	7~13.2	2800	53.5	4.3	220	2.64	80000	4	38.0
FD129225HB	2B		7~13.2	3100	58.5	5.2	260	3.12	75000	3	40.0
FD129225EB	2B		7~13.2	3500	67.3	5.9	340	4.08	65000	2	43.0
FD129225EB	2B		7~13.2	3800	73.4	7.2	470	5.64	65000	1	45.5
FD249225LB	2B		12~26.4	2400	45.8	3.1	90	2.16	80000	5	32.5
FD249225MB	2B	24	12~26.4	2800	53.5	4.3	120	2.88	80000	4	38.0
FD249225HB	2B		12~26.4	3100	58.5	5.2	160	3.84	75000	3	40.0
FD249225EB	2B		12~26.4	3500	67.3	5.9	200	4.80	65000	2	43.0
FD249225EB	2B		12~26.4	3800	73.4	7.2	270	6.48	65000	1	45.5
FD489225LB	2B		24~56.0	2400	45.8	3.1	55	2.64	80000	5	32.5
FD489225MB	2B	48	24~56.0	2800	53.5	4.3	80	3.84	80000	4	38.0
FD489225HB	2B		24~56.0	3100	58.5	5.2	100	4.80	75000	3	40.0

2B: 2-ball bearing BS: 1-ball 1-sleeve bearing L: sintetico bearing S: sleeve bearing

**Voltage Available**

**Bearing System Available**

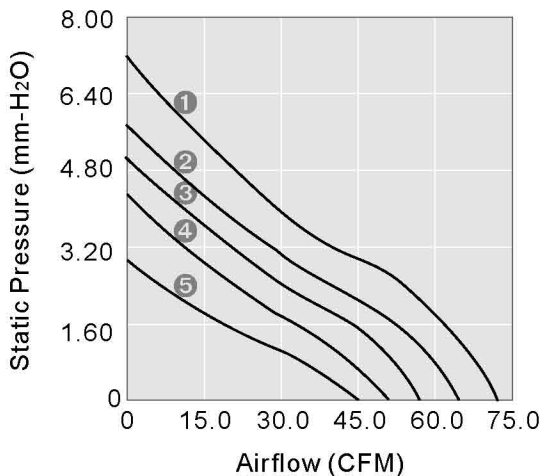
**Function Available**

05 12 24 48

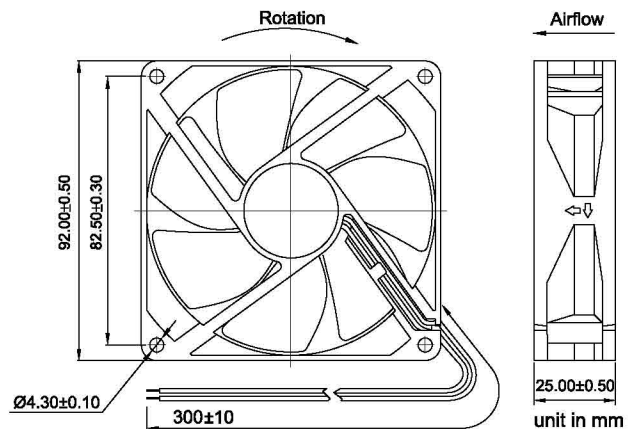
2B L S

N A I F R Q S T M V C P D W U

**PERFORMANCE P-Q CURVE**



**OUTLINE DIMENSIONS**



Please refer to **Model Numbering System** for bearing, function and speed level indication. Specifications are subject to changes without notice. Please refer to the formally issued product specification via contacting Y.S. TECH sales department. Visit Y.S. TECH web site at <http://www.ystech.com.tw> for updated information. Customized Specifications are designed accordingly.