



# 80x80x25 mm

- Airflow: 26.3~48.7 CFM
- Static Pressure: 2.0~5.8 mm-H<sub>2</sub>O
- Blade / Housing: Plastic Material UL 94V-0 P.B.T.
- Lead Wire: UL1007 #24 AWG
- Weight: 100 g



**MC-COMPONENTS**

Model No.	Bearing	Rated Voltage VDC	Operating Voltage Range VDC	Speed RPM	Max. Airflow CFM	Max. Static Pressure mm-H <sub>2</sub> O	Current mA	Power Consumption W	Life at 40°C L10 Hour	P-Q Curve	Noise Level dB(A)
FD128025LS-N	S	12	7~13.2	2100	26.3	2.0	80	0.96	30000	6	26.0
FD128025MS-N	S	12	7~13.2	2600	32.7	3.1	130	1.56	30000	5	29.5
FD128025HS-N	S	12	7~13.2	3200	40.4	3.9	200	2.40	25000	4	35.5
FD128025ES-N	S	12	7~13.2	3500	46.0	5.2	250	3.00	20000	3	38.5
FD128025LB-N	2B	24	7~13.2	2300	28.8	2.2	80	0.96	80000	6	27.0
FD128025MB-N	2B	24	7~13.2	2900	36.9	3.6	130	1.56	80000	5	32.0
FD128025HB-N	2B	24	7~13.2	3400	41.6	4.5	180	2.16	75000	4	37.5
FD128025EB-N	2B	24	7~13.2	3700	48.7	5.8	250	3.00	65000	3	39.5
FD128025EB-N	2B	48	7~13.2	4500	59.2	8.5	390	4.68	65000	2	44.0
FD128025UB-N	2B	48	7~13.2	5500	64.1	12.5	500	6.00	65000	1	48.0
FD248025LB-N	2B	24	12~26.4	2300	28.8	2.2	60	1.44	80000	6	27.0
FD248025MB-N	2B	24	12~26.4	2900	36.9	3.6	80	1.92	80000	5	32.0
FD248025HB-N	2B	24	12~26.4	3400	41.6	4.5	100	2.40	75000	4	37.5
FD248025EB-N	2B	24	12~26.4	3700	48.7	5.8	140	3.36	65000	3	39.5
FD248025EB-N	2B	48	12~26.4	4500	59.2	8.5	230	5.52	65000	2	44.0
FD488025MB-N	2B	48	24~56.0	2900	36.9	3.6	45	2.16	80000	5	32.0
FD488025HB-N	2B	48	24~56.0	3400	41.6	4.5	80	3.84	75000	4	37.5
FD488025EB-N	2B	48	24~56.0	3700	48.7	5.8	85	4.08	65000	3	39.5

2B: 2-ball bearing BS: 1-ball 1-sleeve bearing L: sintetico bearing S: sleeve bearing

**Voltage Available**

**Bearing System Available**

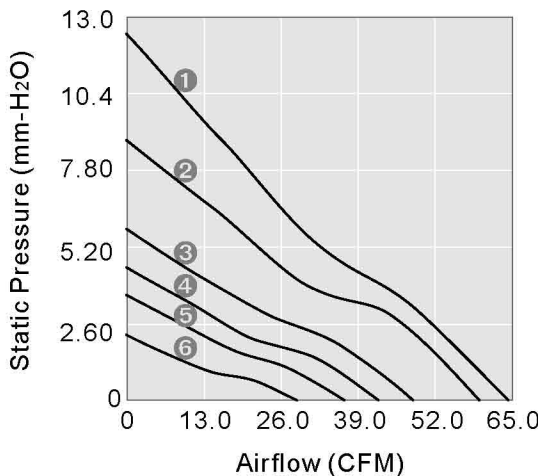
**Function Available**

05 12 24 48

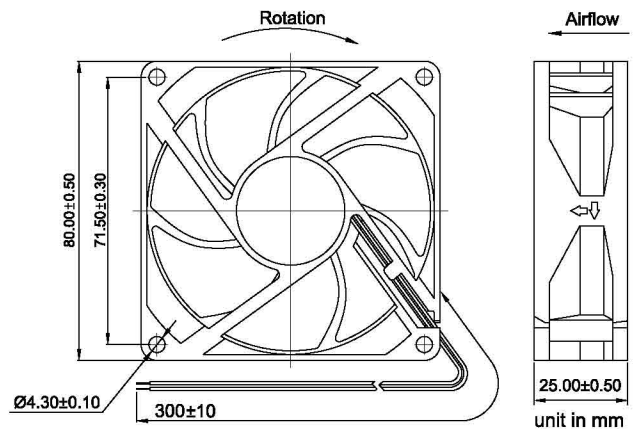
2B L S

N A I F R Q S T M V C P D W U

**PERFORMANCE P-Q CURVE**



**OUTLINE DIMENSIONS**



Please refer to **Model Numbering System** for bearing, function and speed level indication. Specifications are subject to changes without notice. Please refer to the formally issued product specification via contacting Y.S. TECH sales department. Visit Y.S. TECH web site at <http://www.ystech.com.tw> for updated information. Customized Specifications are designed accordingly.