



80x80x25 mm

- Airflow: 27.9~59.8 CFM
- Static Pressure: 1.3~5.4 mm-H₂O
- Blade / Housing:
Plastic Material UL 94V-0 P.B.T.
- Lead Wire: UL1007 #24 AWG
- Weight: 88 g



MC-COMPONENTS

Model No.	Bearing	Rated Voltage VDC	Operating Voltage Range VDC	Speed RPM	Max. Airflow CFM	Max. Static Pressure mm-H ₂ O	Current mA	Power Consumption W	Life at 40°C L10 Hour	P-Q Curve	Noise Level dB(A)
FD128025LS	S		7~13.2	1900	27.9	1.3	100	1.20	30000	5	22.5
FD128025MS	S		7~13.2	2400	35.4	2.1	160	1.92	30000	4	27.5
FD128025HS	S		7~13.2	2900	43.7	2.9	230	2.76	25000	3	33.5
FD128025ES	S		7~13.2	3200	47.4	3.6	260	3.12	20000	2	36.0
FD128025LB	2B		7~13.2	2000	30.0	1.5	100	1.20	80000	5	23.5
FD128025MB	2B	12	7~13.2	2500	37.0	2.1	160	1.92	80000	4	30.0
FD128025HB	2B		7~13.2	3000	45.2	3.1	230	2.76	75000	3	34.5
FD128025EB	2B		7~13.2	3300	48.5	3.8	260	3.12	65000	2	37.0
FD128025EB	2B		7~13.2	4000	59.8	5.4	510	6.12	65000	1	43.0
FD248025LB	2B		12~26.4	2000	30.0	1.5	60	1.44	80000	5	23.5
FD248025MB	2B	24	12~26.4	2500	37.0	2.2	80	1.92	80000	4	30.0
FD248025HB	2B		12~26.4	3000	45.2	3.1	130	3.12	75000	3	34.5
FD248025EB	2B		12~26.4	3300	48.5	3.8	150	3.60	65000	2	37.0
FD488025LB	2B		24~56.0	2000	30.0	1.5	40	1.44	80000	5	23.5
FD488025MB	2B	48	24~56.0	2500	37.0	2.2	50	2.40	80000	4	30.0
FD488025HB	2B		24~56.0	3000	45.2	3.1	90	4.32	75000	3	34.5

2B: 2-ball bearing BS: 1-ball 1-sleeve bearing L: sintetico bearing S: sleeve bearing

Voltage Available

Bearing System Available

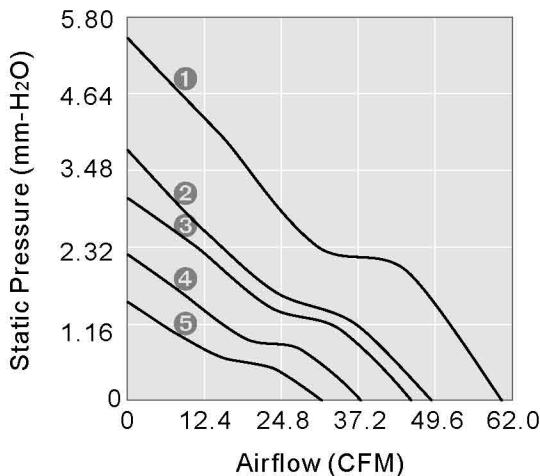
Function Available

05 12 24 48

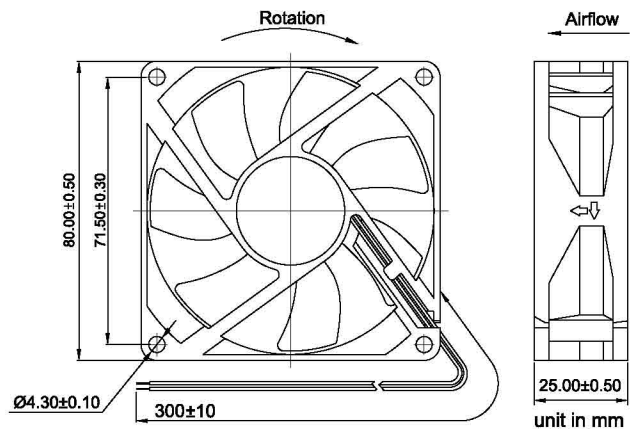
2B L S

N A I F R Q S T M V C P D W U

PERFORMANCE P-Q CURVE



OUTLINE DIMENSIONS



Please refer to **Model Numbering System** for bearing, function and speed level indication. Specifications are subject to changes without notice. Please refer to the formally issued product specification via contacting Y.S. TECH sales department. Visit Y.S. TECH web site at <http://www.ystech.com.tw> for updated information. Customized Specifications are designed accordingly.