



# 70x70x15mm

- Airflow: 27.9~39.5 CFM
- Static Pressure: 3.4~6.8 mm-H<sub>2</sub>O
- Blade / Housing: Plastic Material UL 94V-0 P.B.T.
- Lead Wire: UL1007 #26 AWG
- Weight: 54.0 g



**MC-COMPONENTS**

Model No.	Bearing	Rated Voltage VDC	Operating Voltage Range VDC	Speed RPM	Max. Airflow CFM	Max. Static Pressure mm-H <sub>2</sub> O	Current mA	Power Consumption W	Life at 40°C L10 Hour	P-Q Curve	Noise Level dB(A)
FD127015LB	2B	12	7~13.2	3800	27.9	3.4	130	1.56	80000	4	34.0
FD127015MB	2B		7~13.2	4300	31.6	4.4	190	2.28	80000	3	39.0
FD127015HB	2B		7~13.2	4800	35.3	5.4	260	3.12	75000	2	41.5
FD127015EB	2B		7~13.2	5500	39.5	6.8	400	4.80	65000	1	45.5
FD127015LB	BS		7~13.2	3800	27.9	3.4	130	1.56	50000	4	34.0
FD127015MB	BS		7~13.2	4300	31.6	4.4	190	2.28	50000	3	39.0
FD127015HB	BS		7~13.2	4800	35.3	5.4	260	3.12	40000	2	41.5
FD127015EB	BS		7~13.2	5500	39.5	6.8	400	4.80	30000	1	45.5
FD127015LS	S		7~13.2	3800	27.9	3.4	155	1.86	30000	4	34.0
FD127015MS	S		7~13.2	4300	31.6	4.4	220	2.64	30000	3	39.0
FD127015HS	S		7~13.2	4800	35.3	5.4	280	3.36	25000	2	41.5

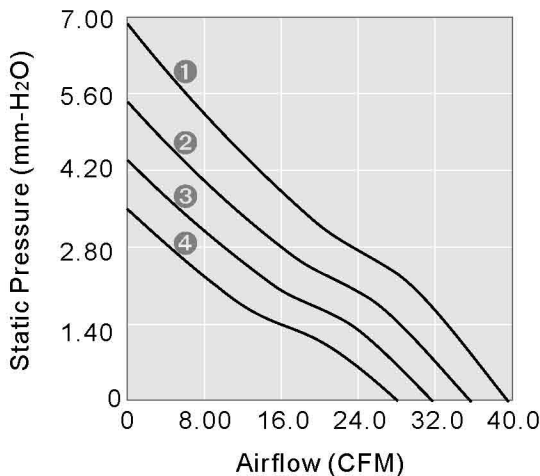
2B: 2-ball bearing BS: 1-ball 1-sleeve bearing L: sintetico bearing S: sleeve bearing

**Voltage Available**  
05 12 24 48

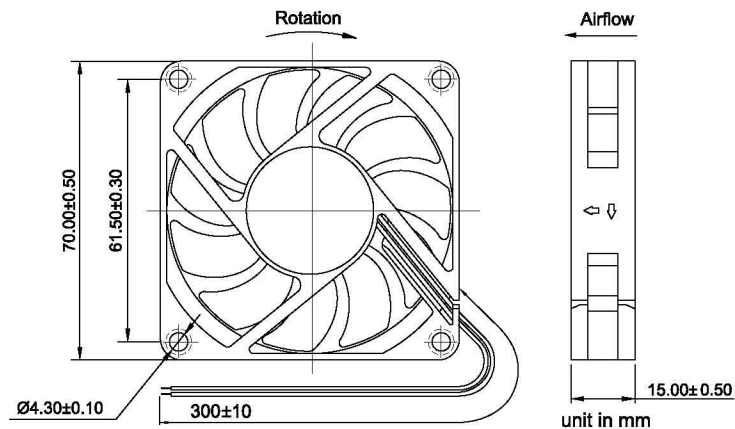
**Bearing System Available**  
2B L S

**Function Available**  
N A I F R Q S T M V C P D W U

**PERFORMANCE P-Q CURVE**



**OUTLINE DIMENSIONS**



Please refer to **Model Numbering System** for bearing, function and speed level indication. Specifications are subject to changes without notice. Please refer to the formally issued product specification via contacting Y.S. TECH sales department. Visit Y.S. TECH web site at <http://www.ystech.com.tw> for updated information. Customized Specifications are designed accordingly.