



60x60x25 mm

- Airflow: 15.3~40.1 CFM
- Static Pressure: 2.3~14.2 mm-H₂O
- Blade / Housing:
Plastic Material UL 94V-0 P.B.T.
- Lead Wire: UL1007 #24 AWG
- Weight: 56 g



MC-COMPONENTS

Model No.	Bearing	Rated Voltage VDC	Operating Voltage Range VDC	Speed RPM	Max. Airflow CFM	Max. Static Pressure mm-H ₂ O	Current mA	Power Consumption W	Life at 40°C L10 Hour	P-Q Curve	Noise Level dB(A)
FD126025LB	2B	12	7~13.2	2800	15.8	2.4	80	0.96	80000	5	23.5
FD126025MB	2B		7~13.2	3700	20.2	3.8	120	1.44	80000	4	29.5
FD126025HB	2B		7~13.2	4300	25.4	5.5	150	1.80	75000	3	34.0
FD126025EB	2B		7~13.2	5200	29.3	6.3	210	2.52	65000	2	40.5
FD126025EB	2B		7~13.2	6800	40.1	14.2	420	5.04	65000	1	48.0
FD246025LB	2B	24	12~26.4	2800	15.8	2.4	50	1.20	80000	5	23.5
FD246025MB	2B		12~26.4	3700	20.2	3.8	70	1.68	80000	4	29.5
FD246025HB	2B		12~26.4	4300	25.4	5.5	90	2.16	75000	3	34.0
FD246025EB	2B		12~26.4	5200	29.3	6.3	110	2.64	65000	2	40.5
FD246025EB	2B		12~26.4	6800	40.1	14.2	210	5.04	65000	1	48.0
FD486025LB	2B	48	24~56.0	2800	15.8	2.4	30	1.44	80000	5	23.5
FD486025MB	2B		24~56.0	3700	20.2	3.8	45	2.16	80000	4	29.5
FD486025HB	2B		24~56.0	4300	25.4	5.5	50	2.40	75000	3	34.0
FD486025EB	2B		24~56.0	5200	29.3	6.3	80	3.84	65000	2	40.5

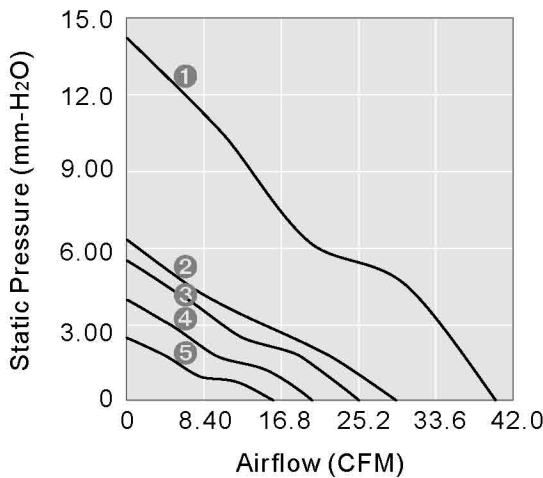
2B: 2-ball bearing BS: 1-ball 1-sleeve bearing L: sintetico bearing S: sleeve bearing

Voltage Available
05 12 24 48

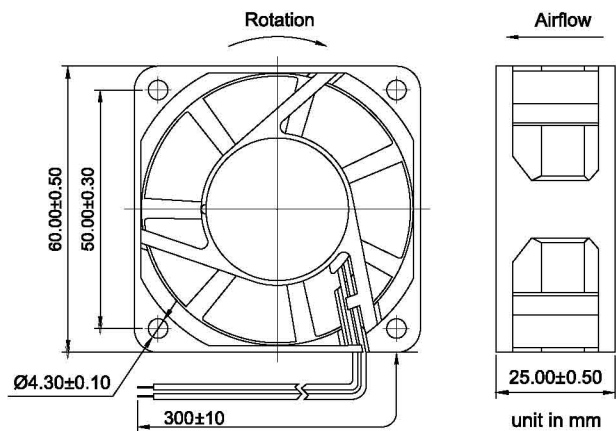
Bearing System Available
2B L S

Function Available
N A I F R Q S T M V C P D W U

PERFORMANCE P-Q CURVE



OUTLINE DIMENSIONS



Please refer to **Model Numbering System** for bearing, function and speed level indication. Specifications are subject to changes without notice. Please refer to the formally issued product specification via contacting Y.S. TECH sales department. Visit Y.S. TECH web site at <http://www.ystech.com.tw> for updated information. Customized Specifications are designed accordingly.