



# 60x60x20mm

- Airflow: 17.1~29.1 CFM
- Static Pressure: 2.4~7.0 mm-H<sub>2</sub>O
- Blade / Housing: Plastic Material UL 94V-0 P.B.T.
- Lead Wire: UL1007 #26 AWG
- Weight: 44.0 g



**MC-COMPONENTS**

Model No.	Bearing	Rated Voltage VDC	Operating Voltage Range VDC	Speed RPM	Max. Airflow CFM	Max. Static Pressure mm-H <sub>2</sub> O	Current mA	Power Consumption W	Life at 40°C L10 Hour	P-Q Curve	Noise Level dB(A)
FD126020LB	2B	12	7~13.2	3000	17.1	2.4	80	0.96	80000	4	26.0
FD126020MB	2B		7~13.2	3600	20.0	3.4	110	1.32	80000	3	30.5
FD126020HB	2B		7~13.2	4200	22.9	4.4	160	1.92	75000	2	35.0
FD126020EB	2B		7~13.2	5300	29.1	7.0	280	3.36	65000	1	41.0
FD126020LS	S		7~13.2	2800	15.2	2.0	80	0.96	30000	4	25.0
FD126020MS	S		7~13.2	3400	18.0	2.7	110	1.32	30000	3	28.0
FD126020HS	S	7~13.2	4000	21.8	4.0	160	1.92	25000	2	35.0	
FD246020LB	2B	24	12~26.4	3000	17.1	2.4	40	0.96	80000	4	26.0
FD246020MB	2B		12~26.4	3600	20.0	3.4	70	1.68	80000	3	30.5
FD246020HB	2B		12~26.4	4200	22.9	4.4	80	1.92	75000	2	35.0
FD246020MS	S		12~26.4	3400	18.0	2.7	70	1.68	30000	3	28.0
FD246020HS	S		12~26.4	4000	21.8	4.0	80	1.92	25000	2	35.0

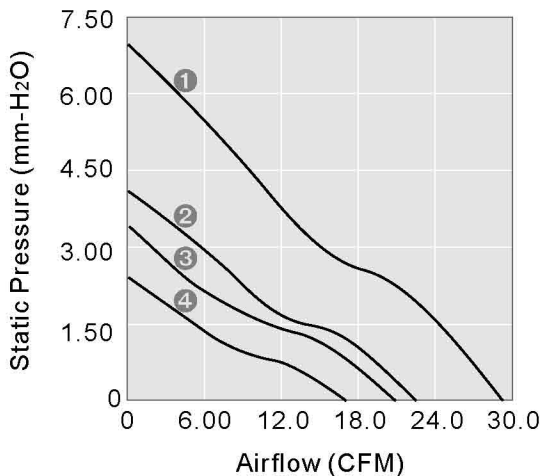
2B: 2-ball bearing BS: 1-ball 1-sleeve bearing L: sintetico bearing S: sleeve bearing

**Voltage Available**  
05 12 24 48

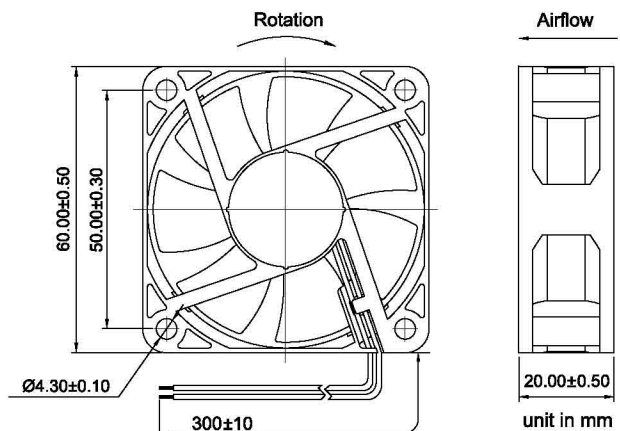
**Bearing System Available**  
2B L S

**Function Available**  
N A I F R Q S T M V C P D W U

**PERFORMANCE P-Q CURVE**



**OUTLINE DIMENSIONS**



Please refer to **Model Numbering System** for bearing, function and speed level indication. Specifications are subject to changes without notice. Please refer to the formally issued product specification via contacting Y.S. TECH sales department. Visit Y.S. TECH web site at <http://www.ystech.com.tw> for updated information. Customized Specifications are designed accordingly.