



120x120x38mm

- Airflow: 89.5~135.0 CFM
- Static Pressure: 3.9~8.6 mm-H₂O
- Blade / Housing: Plastic Material UL 94V-0 P.B.T.
- Lead Wire: UL1007 #22 AWG
- Weight: 220 g

MC-COMPONENTS

Model No.	Bearing	Rated Voltage VDC	Operating Voltage Range VDC	Speed RPM	Max. Airflow CFM	Max. Static Pressure mm-H ₂ O	Current mA	Power Consumption W	Life at 40°C L10 Hour	P-Q Curve	Noise Level dB(A)
FD121238LB	2B	12	7~13.2	2000	89.5	3.9	320	3.84	80000	4	36.0
FD121238MB	2B		7~13.2	2400	107.7	5.8	420	5.04	80000	3	41.0
FD121238HB	2B		7~13.2	2800	125.5	7.6	660	7.92	75000	2	45.0
FD121238EB	2B		7~13.2	3000	135.0	8.6	830	9.96	65000	1	47.0
FD241238LB	2B	24	12~26.4	2000	89.5	3.9	150	3.60	80000	4	36.0
FD241238MB	2B		12~26.4	2400	107.7	5.8	250	6.00	80000	3	41.0
FD241238HB	2B		12~26.4	2800	125.5	7.6	360	8.64	75000	2	45.0
FD241238EB	2B		12~26.4	3000	135.0	8.6	410	9.84	65000	1	47.0
FD481238LB	2B	48	24~56.0	2000	89.5	3.9	120	5.76	80000	4	36.0
FD481238MB	2B		24~56.0	2400	107.7	5.8	140	6.72	80000	3	41.0
FD481238HB	2B		24~56.0	2800	125.5	7.6	180	8.64	75000	2	45.0
FD481238EB	2B		24~56.0	3000	135.0	8.6	210	10.08	65000	1	47.0

2B: 2-ball bearing BS: 1-ball 1-sleeve bearing L: sintetico bearing S: sleeve bearing

Voltage Available

05 12 24 48

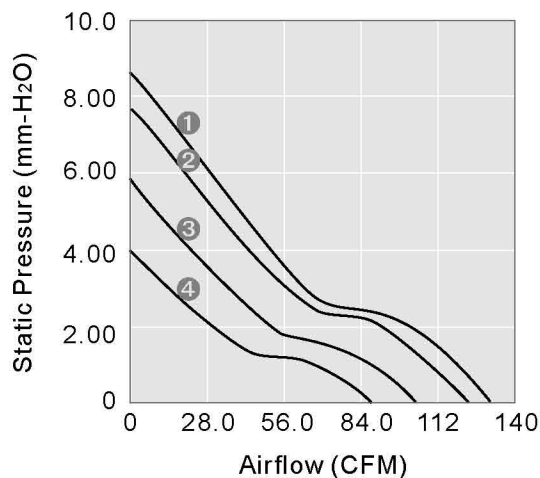
Bearing System Available

2B L S

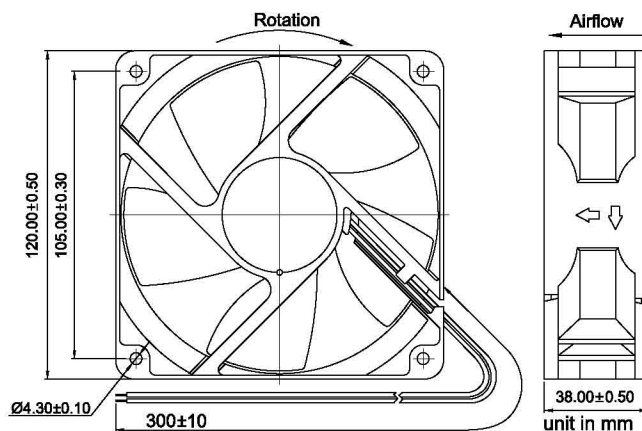
Function Available

N A I F R Q S T M V C P D W U

PERFORMANCE P-Q CURVE



OUTLINE DIMENSIONS



Please refer to **Model Numbering System** for bearing, function and speed level indication. Specifications are subject to changes without notice. Please refer to the formally issued product specification via contacting Y.S. TECH sales department. Visit Y.S. TECH web site at <http://www.ystech.com.tw> for updated information. Customized Specifications are designed accordingly.