



120x120x32mm

- Airflow: 83.3~137.0 CFM
- Static Pressure: 4.3~9.4 mm-H₂O
- Blade / Housing: Plastic Material UL 94V-0 P.B.T.
- Lead Wire: UL1007 #22 AWG
- Weight: 219 g



MC-COMPONENTS

Model No.	Bearing	Rated Voltage VDC	Operating Voltage Range VDC	Speed RPM	Max. Airflow CFM	Max. Static Pressure mm-H ₂ O	Current mA	Power Consumption W	Life at 40°C L10 Hour	P-Q Curve	Noise Level dB(A)
FD121232LB	2B	12	7~13.2	2100	87.7	4.2	330	3.96	80000	4	39.5
FD121232MB	2B		7~13.2	2500	99.0	6.0	450	5.40	80000	3	42.5
FD121232HB	2B		7~13.2	2900	115.0	8.0	580	6.96	75000	2	47.5
FD121232EB	2B		7~13.2	3300	137.3	9.4	840	10.08	65000	1	49.0
FD241232LB	2B	24	12~26.4	2100	87.7	4.2	150	3.60	80000	4	39.5
FD241232MB	2B		12~26.4	2500	99.0	6.0	200	4.80	80000	3	42.5
FD241232HB	2B		12~26.4	2900	115.0	8.0	290	6.96	75000	2	47.5
FD241232EB	2B		12~26.4	3300	137.3	9.4	400	9.60	65000	1	49.0
FD481232LB	2B	48	24~56.0	2100	83.3	4.3	68	3.26	80000	4	39.5
FD481232MB	2B		24~56.0	2500	99.0	6.0	110	5.28	80000	3	42.5
FD481232HB	2B		24~56.0	2900	115.0	8.0	190	9.12	75000	2	47.5

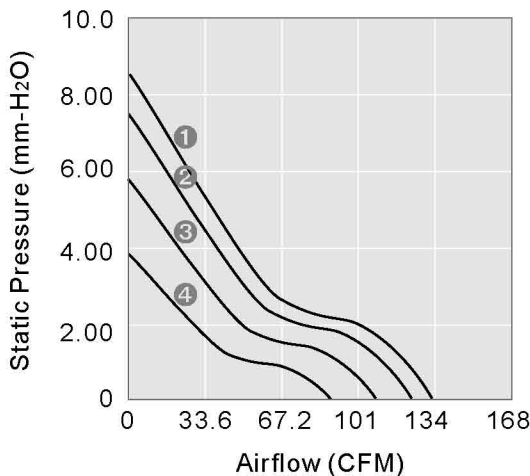
2B: 2-ball bearing BS: 1-ball 1-sleeve bearing L: sintetico bearing S: sleeve bearing

Voltage Available
05 12 24 48

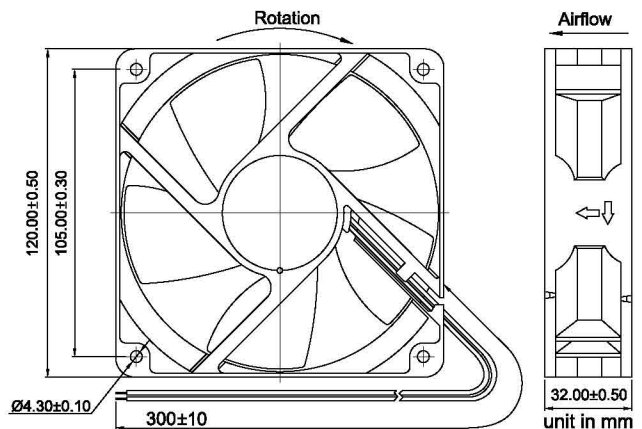
Bearing System Available
2B L S

Function Available
N A I F R Q S T M V C P D W U

PERFORMANCE P-Q CURVE



OUTLINE DIMENSIONS



Please refer to **Model Numbering System** for bearing, function and speed level indication. Specifications are subject to changes without notice. Please refer to the formally issued product specification via contacting Y.S. TECH sales department. Visit Y.S. TECH web site at <http://www.ystech.com.tw> for updated information. Customized Specifications are designed accordingly.