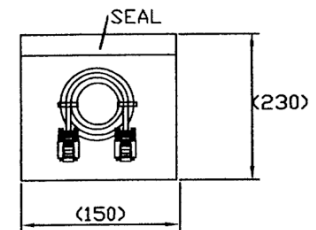
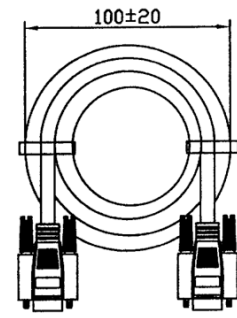


| Color  | A     | B     |
|--------|-------|-------|
| Red    | PIN1  | PIN1  |
| Green  | PIN2  | PIN2  |
| Brown  | PIN3  | PIN3  |
| Blue   | PIN4  | PIN4  |
| White  | PIN5  | PIN5  |
| Black  | PIN6  | PIN6  |
| Purple | PIN7  | PIN7  |
| Yellow | PIN8  | PIN8  |
| Orange | PIN9  | PIN9  |
| drain  | SHELL | SHELL |



- NOTES:
1. WIRE: NO UL 28AWG/9C+GROUND WIRE ALUMINUM FOIL OD:5.0
  2. D-SUB 9PIN MALE
  3. D-SUB 9PIN FEMALE
  4. SCREW 4-40(Big E30.5L)

PART NO.

SERIES NO. CZ 01 2 X XX E XXX LENGTH NO. EX:03F=3FT,3M5=3.5M  
 CZ=D-SUB CONNECTOR OPTION 01=DB09/DB09 (SOLDER/SOLDER) CONNECTOR TYPE 2=M/F  
 ENVIRONMENT PROTECTION MATERIAL: E=RoHS TYPE. 01=LA B01=L2 CABLE COLOR 1=BEIGE 2=GREY 3=BLACK



| PART NO. | L ( ) ± | APPROVED |
|----------|---------|----------|
|          |         |          |

LENGTH TOTAL TOLERANCE:  
 500 ≥ L ± 20  
 500 < L < 1000 ± 30  
 L ≥ 1000 ± 50

| UNLESS OTHERWISE SPECIFIED TOLERANCE |
|--------------------------------------|
| 0. ±1.0                              |
| .0 ±0.5                              |
| .00 ±0.3                             |

**MC-COMPONENTS**

SCALE: AS SHOWN UNIT: mm

DRAWN JOE 11/14/06

DRAWN NAME: DB09M/DB09F CABLE

11/10/06 CHECKED *deav* 11/15/06

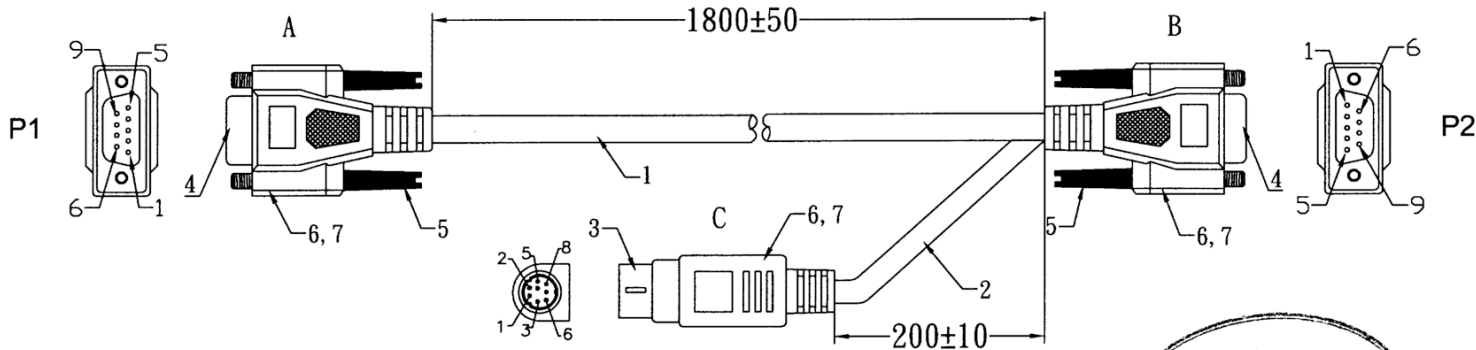
PRODUCT NO: CZ012XXXEXXX

11/01/06 APPROVED *[Signature]* 11/15/06

FILE NAME: CZ012X01E(N3)

| REV. | DESCRIPTION                      | DATE     |
|------|----------------------------------|----------|
| B    | ECN-0611089(Vicky)CHANGE OUTLINE | 11/10/06 |
| A    | ECN-0611010(Vicky)               | 11/01/06 |

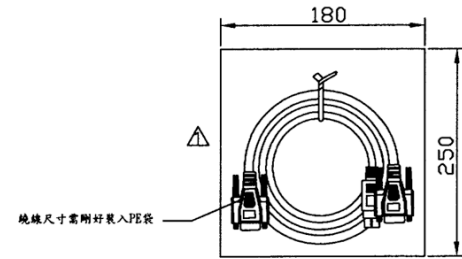




**ELECTRICAL PROPERTIES:**

1. 100% Open Short Miss-Wire Test
2. Contact Resistance: 3ohm max
3. Insulation Resistance: 10mega ohm MIN
4. Hipot test:DC 300V 10ms

| A     | B     | C     |
|-------|-------|-------|
| SHELL | SHELL | SHELL |
| 2     | 3     | 3     |
| 3     | 2     | 5     |
| 5     | 5     | 4, 8  |
| 4     | 6     |       |
| 6     | 4     |       |
| 7     | 7     |       |
| 8     | 8     |       |



| NO. | DESCRIPTION                               | Q'TY | UNITS |
|-----|-------------------------------------------|------|-------|
| 7   | PVC 45P BLACK(低毒)                         |      | G     |
| 6   | PE 内模料(低毒)                                |      | G     |
| 5   | #4-40UNC(OD:3.98*L:54.4MM)(低毒)            | 4    | PC    |
| 4   | DB 9P/F INSULATOR:BLACK(低毒)               | 2    | PC    |
| 3   | MINI DIN 8P/M INSULATOR:BLACK(低毒)         | 1    | PC    |
| 2   | UL2725 28#/1P+28#/2C+AED OD:3.5 BLACK(低毒) | 1    | PC    |
| 1   | UL2464 28#/5C+AE OD:4.5 BLACK(低毒)         | 1    | PC    |

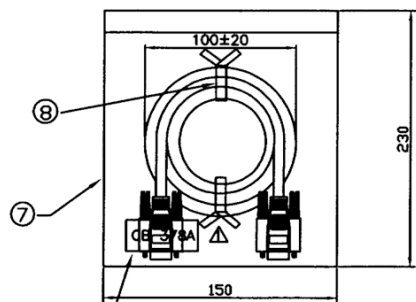
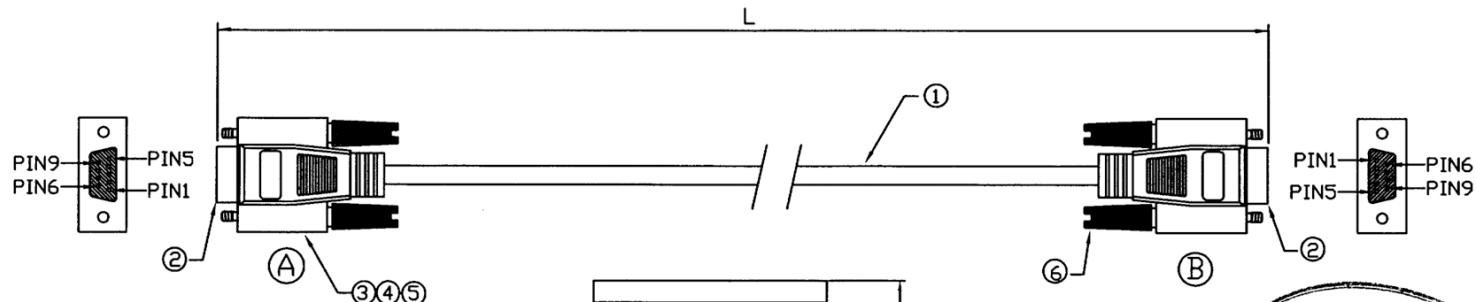
PART NO.

SERIES NO. CZ 93 5 3 B06 E 1M8  
 CZ=D-SUB  
 CONNECTOR OPTION 93=DB09\*2/MINI DIN 08  
 CONTACT TYPE 5=F\*2/M  
 LENGTH NO. 1M8=1800mm  
 ENVIRONMENT PROTECTION MATERIAL. E=RoHS  
 TYPE  
 CABLE COLOR 3=BLACK



| UNLESS OTHERWISE SPECIFIED TOLERANCE |          | MC-COMPONENTS                        |
|--------------------------------------|----------|--------------------------------------|
| 0.                                   | ±1.0     |                                      |
| .0                                   | ±0.5     |                                      |
| .00                                  | ±0.3     |                                      |
| SCALE: AS SHOWN                      | UNIT: mm |                                      |
| DRAWN JOE                            | 06/15/07 | DRAWN NAME: DB9F*2/MINI DIN 8M CABLE |
| CHECKED <i>jeavl</i>                 | 06/20/07 | PRODUCT NO. CZ9353B06E1M8            |
| APPROVED <i>Ula 10/06/2007</i>       |          | FILE NAME: CZ9353B06E1M8(D3)         |
| DATE                                 | SIZE A4  | REV. B                               |

| REV. | DESCRIPTION                   | DATE     |
|------|-------------------------------|----------|
| B    | ECN-0706115(Emily) (1,C)(8,C) | 06/14/07 |
| A    | ECN-0705076(Emily)            | 05/07/07 |



NOTES:  
 1. 100% TEST OPEN. SHORT&MISWIRE.  
 2. PACKING:1PC/BAG.

|      |     |               |                                           |
|------|-----|---------------|-------------------------------------------|
| ⑧    | 2   | MINI TIE      | 120MM                                     |
| ⑦    | 1   | PE BAG        | 150X230L                                  |
| ⑥    | 4   | SCREW         | 4-40(BIG E30.5L)                          |
| ⑤    | 2   | OUTER MOLDED  | 50P PVC                                   |
| ④    | 2   | AL FOIL MYLAR | 25X70MM                                   |
| ③    | 2   | INNER MOLDED  | 透明PE料                                     |
| ②    | 2   | CONNECTOR     | D-SUB 9PIN FEMALE (BLUE INSULATOR/NICKEL) |
| ①    | 1   | CABLE         | NON UL 28AWG/3C+D+AL OD:#5.0              |
| ITEM | QTY | PART NUMBER   | PARTS UST                                 |

△△ LABEL:CB 378A請貼在左側CONNECTOR上

| COLOR | A     | B     |
|-------|-------|-------|
| RED   | PIN2  | PIN3  |
| GREEN | PIN3  | PIN2  |
| BROWN | PIN5  | PIN5  |
| DRAIN | SHELL | SHELL |

| PART NO. | L ± | APPROVED |
|----------|-----|----------|
|          |     |          |

PART NO.

SERIES NO. CZ 01 4 X A26 E XXX  
 CZ=D-SUB  
 CONNECTOR OPTION  
 01=DB09/DB09  
 (MOLDED/MOLDED)  
 CONNECTOR TYPE  
 4=F/F

LENGTH NO.  
 EX: 03F=3FT,3M5=3.5M  
 50C=50CM  
 ENVIRONMENT PROTECTION MATERIAL  
 E=RoHS  
 TYPE.  
 CABLE COLOR  
 1=BEIGE  
 2=GRAY  
 3=BLACK



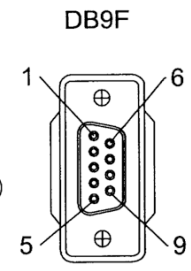
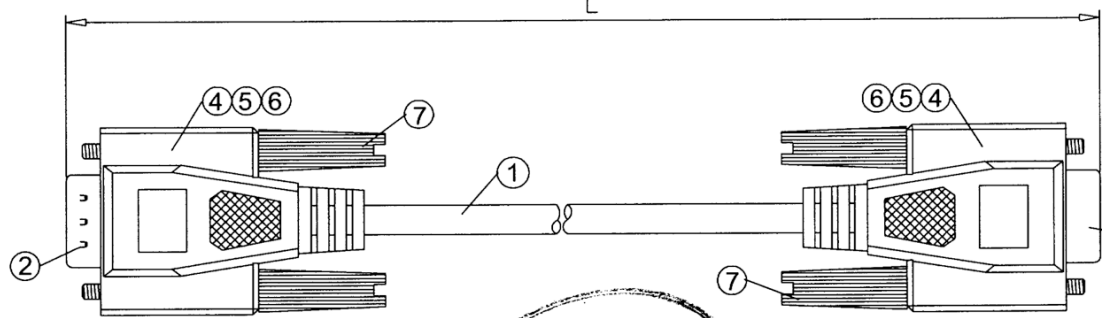
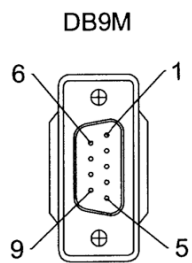
LENGTH TOTAL TOLERANCE:  
 500 ≥ L ±20  
 500 < L < 1000 ± 30  
 L > 1000 ± 50

FOR UPS

| UNLESS OTHERWISE SPECIFIED TOLERANCE |          |
|--------------------------------------|----------|
| 0.                                   | ±1.0     |
| .0                                   | ±0.5     |
| .00                                  | ±0.3     |
| SCALE: AS SHOWN                      | UNIT: mm |

|                                |  |
|--------------------------------|--|
| <b>MC-COMPONENTS</b>           |  |
| DRAWN NAME: DB09F/DB09F CABLE  |  |
| PRODUCT NO. CZ014XA26EXXX      |  |
| FILE NAME: CZ014XA26E(N3)(UPS) |  |

| REV. | DESCRIPTION                             | DATE     | SIZE | REV. |
|------|-----------------------------------------|----------|------|------|
| C    | ECN-0707082(Sally)△(4,D)                | 07/10/07 | A4   |      |
| B    | ECN-0706085(Sally)△(1,D)(3,C)(5,D)(7,D) | 06/12/07 |      |      |
| A    | ECN-0706003(Sally)                      | 05/31/07 |      |      |



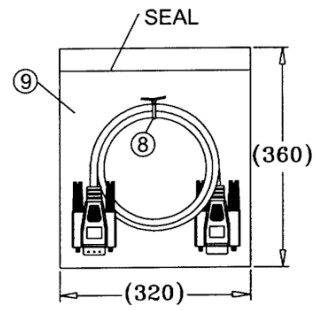
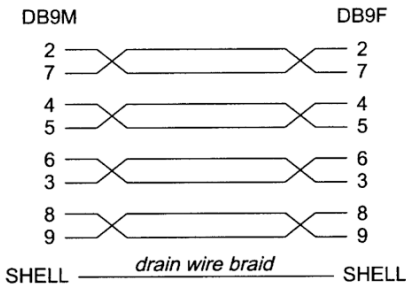
COPPER TYPE  
SOLDERING 360°

COPPER TYPE  
SOLDERING 360°



NOTES:  
1. 100% TEST OPEN, SHORT & MISWIRE.  
2. PACKING: 1PCS/BAG.

| ITEM       | QTY | PART NUMBER | DESCRIPTION                    |
|------------|-----|-------------|--------------------------------|
| ⑨          | 1   | PE BAG      | 320x360x0.05mm                 |
| ⑧          | 1   | MINI TIE    |                                |
| ⑦          | 4   | SCREW       | BIG E31 #4-40UNC PVC           |
| ⑥          | 2   | OUTER MOLD  | 45P PVC                        |
| ⑤          | 2   | COPPER TYPE | 25x50mm SOLDERING 360 DEGREE   |
| ④          | 2   | INNER MOLD  | PE OR PVC.                     |
| ③          | 1   | CONNECTOR   | DB 9F SOLDER TYPE BLUE/NICKEL. |
| ②          | 1   | CONNECTOR   | DB 9M SOLDER TYPE BLUE/NICKEL. |
| ①          | 1   | CABLE       | UL2464 22AWGx4P+ADB OD.8.0     |
| PARTS LIST |     |             |                                |



PART NO.

SERIES NO. CZ 01 2 X A16 X XXX LENGTH NO. EX: 03F=3FT, 3M5=3.5M  
 CONNECTOR OPTION 01=DB09/DB09 (MOLDED/MOLDED) ENVIRONMENT PROTECTION MATERIAL: --=General  
 CONNECTOR TYPE 2=M/F TYPE. E=RoHS  
 CABLE COLOR 1=BEIGE  
 2=GRAY  
 3=BLACK

| PART NO. | L ± | APPROVED |
|----------|-----|----------|
|          |     |          |

LENGTH TOTAL TOLERANCE:  
 500 ≥ L ± 20  
 500 < L < 1000 ± 30  
 1000 ≤ L < 5000 ± 50  
 L ≥ 5000 ± 100

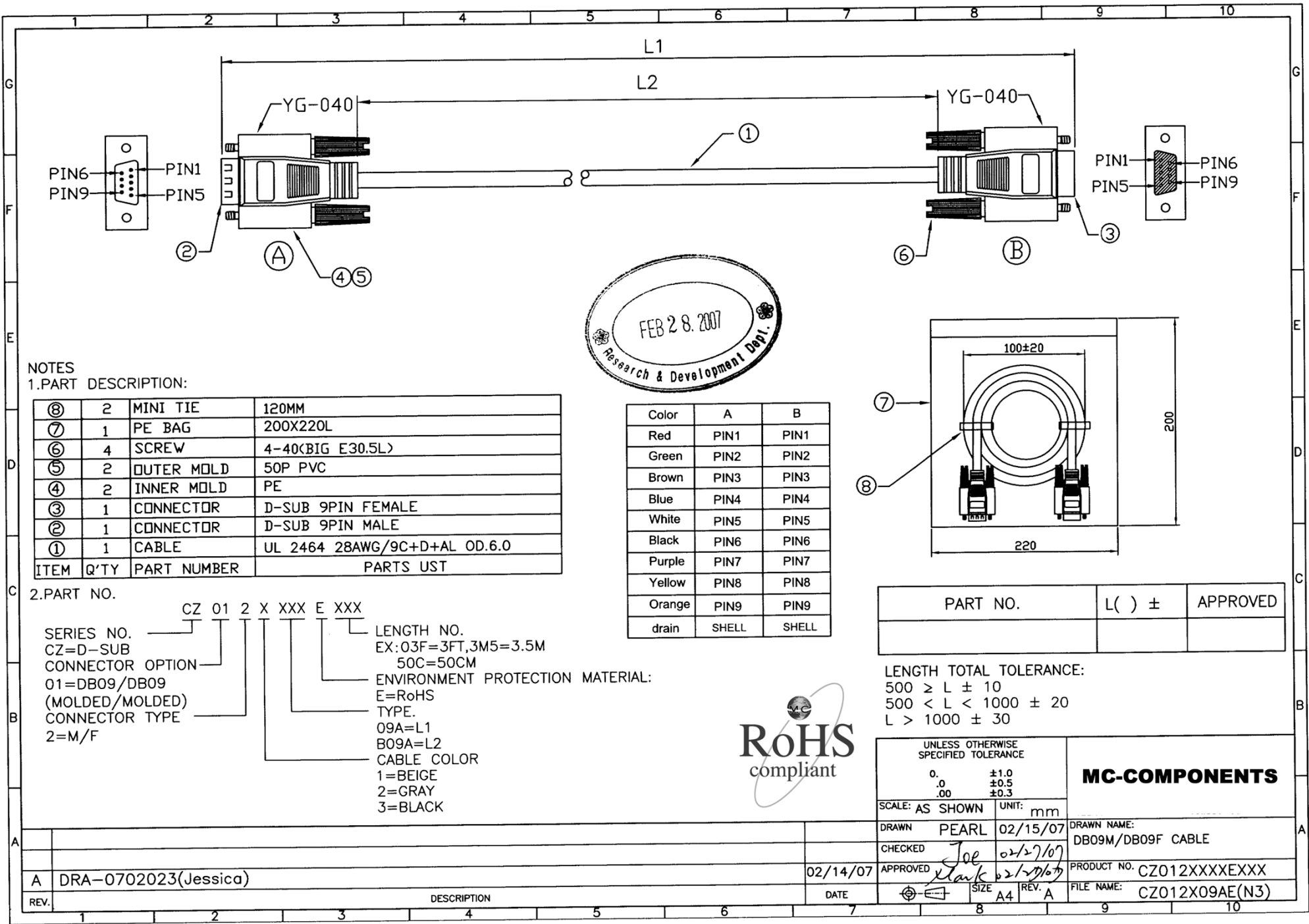


| UNLESS OTHERWISE SPECIFIED TOLERANCE |      |
|--------------------------------------|------|
| 0.                                   | ±1.0 |
| .0                                   | ±0.5 |
| .00                                  | ±0.3 |

**MC-COMPONENTS**

| REV. | DESCRIPTION              | DATE     | REV. | DESCRIPTION               | DATE     | SIZE | REV. | FILE NAME:       |
|------|--------------------------|----------|------|---------------------------|----------|------|------|------------------|
| C    | ECN-0510092(Jenny) (3,B) | 10/13/05 |      |                           |          | A4   | D    | CZ012XA16E(2&D3) |
| B    | ECN-0304029(Jenny)       | 04/04/03 |      |                           |          |      |      |                  |
| A    | ECN-0206117(Lucy)        | 06/21/02 | D    | ECN-0709093(Paige) (10,A) | 09/10/07 |      |      |                  |

| SCALE:   | AS SHOWN | UNIT:    | mm | DRAWN NAME:               |
|----------|----------|----------|----|---------------------------|
| DRAWN    | PEARL    | 09/14/07 |    | DB09M/DB09F CABLE         |
| CHECKED  | Cherry   | 09/14/07 |    |                           |
| APPROVED | Joe      | 09/14/07 |    | PRODUCT NO. CZ012XA16XXXX |
|          |          |          |    |                           |

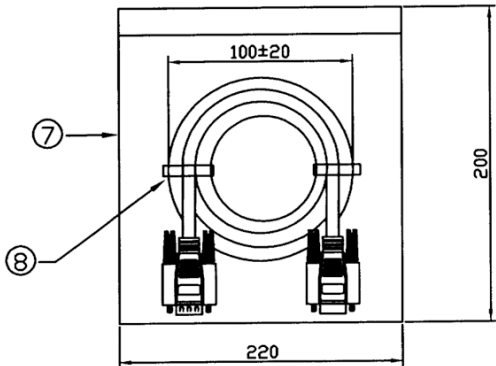


NOTES  
1.PART DESCRIPTION:

|      |      |             |                              |
|------|------|-------------|------------------------------|
| ⑧    | 2    | MINI TIE    | 120MM                        |
| ⑦    | 1    | PE BAG      | 200X220L                     |
| ⑥    | 4    | SCREW       | 4-40(BIG E30.5L)             |
| ⑤    | 2    | OUTER MOLD  | 50P PVC                      |
| ④    | 2    | INNER MOLD  | PE                           |
| ③    | 1    | CONNECTOR   | D-SUB 9PIN FEMALE            |
| ②    | 1    | CONNECTOR   | D-SUB 9PIN MALE              |
| ①    | 1    | CABLE       | UL 2464 28AWG/9C+D+AL OD.6.0 |
| ITEM | Q'TY | PART NUMBER | PARTS UST                    |



| Color  | A     | B     |
|--------|-------|-------|
| Red    | PIN1  | PIN1  |
| Green  | PIN2  | PIN2  |
| Brown  | PIN3  | PIN3  |
| Blue   | PIN4  | PIN4  |
| White  | PIN5  | PIN5  |
| Black  | PIN6  | PIN6  |
| Purple | PIN7  | PIN7  |
| Yellow | PIN8  | PIN8  |
| Orange | PIN9  | PIN9  |
| drain  | SHELL | SHELL |



|          |        |          |
|----------|--------|----------|
| PART NO. | L( ) ± | APPROVED |
|          |        |          |

LENGTH TOTAL TOLERANCE:  
 500 ≥ L ± 10  
 500 < L < 1000 ± 20  
 L > 1000 ± 30

|                                      |          |                               |
|--------------------------------------|----------|-------------------------------|
| UNLESS OTHERWISE SPECIFIED TOLERANCE |          | <b>MC-COMPONENTS</b>          |
| 0. ±1.0                              | .0 ±0.5  |                               |
|                                      | .00 ±0.3 |                               |
| SCALE: AS SHOWN                      | UNIT: mm |                               |
| DRAWN PEARL                          | 02/15/07 | DRAWN NAME: DB09M/DB09F CABLE |
| CHECKED Joe                          | 02/27/07 |                               |
| APPROVED [Signature]                 | 02/27/07 | PRODUCT NO. CZ012XXXXEXXX     |
|                                      |          | FILE NAME: CZ012X09AE(N3)     |

2.PART NO. CZ 01 2 X XXX E XXX

SERIES NO. \_\_\_\_\_ LENGTH NO. \_\_\_\_\_  
 CZ=D-SUB EX:03F=3FT,3M5=3.5M  
 CONNECTOR OPTION \_\_\_\_\_ 50C=50CM  
 01=DB09/DB09 ENVIRONMENT PROTECTION MATERIAL:  
 (MOLDED/MOLDED) E=RoHS  
 CONNECTOR TYPE \_\_\_\_\_ TYPE.  
 2=M/F 09A=L1  
 B09A=L2  
 CABLE COLOR  
 1=BEIGE  
 2=GRAY  
 3=BLACK



|      |                      |          |                      |          |      |         |        |
|------|----------------------|----------|----------------------|----------|------|---------|--------|
| A    | DRA-0702023(Jessica) | 02/14/07 | APPROVED [Signature] | 02/27/07 | DATE | SIZE A4 | REV. A |
| REV. | DESCRIPTION          |          |                      |          |      |         |        |