

Note:
 1.HDMI-19P Mould No.:DM₂-H731.
 2.HDMI-19P After PRE-Mold Wrapped Copper Foil.

NO	PART NO	TITLE	DESCRIPTION	Q'TY	UNIT
9	NA110250	Mini Tie	Black L:90mm-RO	1	PC
8	NA360030	Tape	SINGLE SIDE WITH ADHESIVE TAPE W12*L60mm-RO	2	PCS
7	GC300050	Foil	COPPER FOIL W20*L60mm-RO	2	PCS
6	JA860020	H.S.T	BLACK HEAT SHRINK TUBE OD:1.5mm-RO L:8mm	8	PCS
5	J1190010	PE	TRANSPARENT PE-RO	4	G
4	JB513960	PVC	45P PVC-RO BLACK(T-000)	14	G
3	GC340080	Tin	OD:0.6mm-RO	1	G
2	19280010	Conn	HDMI-19PSGS4-K-A-RO Solder Type.Shell Nickel Plated.	2	PCS
1	LFO22060	Cable	UL20276 (1P#30+D+AL+MYLAR)*4C+1P#30+5C#28-RO+AL+B 006 Black(T-000) 150cm(Braid 35%)	1	PC

Pin		Out	
P1	P2	P1	P2
3	WHITE	3	12
1	BROWN	1	10
2	DRAIN	2	11
6	WHITE	6	13
4	GREEN	4	14
5	DRAIN	5	15
9	WHITE	9	16
7	RED	7	17
8	DRAIN	8	18
		19	19
		SHELL	BRAID
			SHELL

PART NO. _____

SERIES NO. _____

CF=HDMI

CONNECTOR OPTION _____

03=HDMI-19/HDMI-19 (MOLDED/MOLDED)

CONNECTOR TYPE _____

1=M/M

LENGTH NO. _____

1M5=1500mm

GREEN OPTION: _____

E=RoHS

TYPE _____

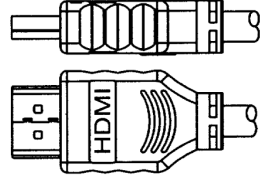
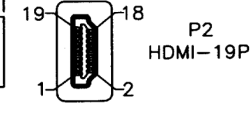
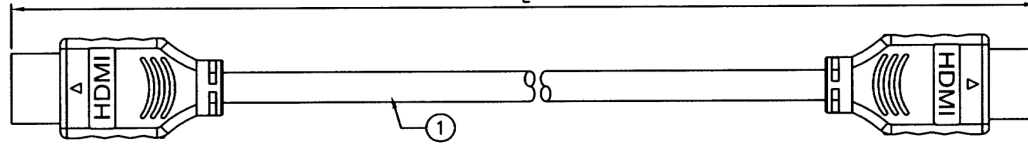
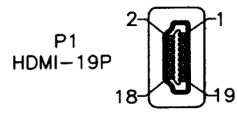
CABLE COLOR _____

3=BLACK

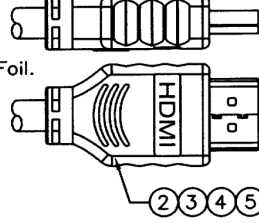


UNLESS OTHERWISE SPECIFIED TOLERANCE		MC-COMPONENTS
0.	±1.0	
.0	±0.5	
.00	±0.3	
SCALE: AS SHOWN	UNIT: mm	
DRAWN JOE	07/24/08	DRAWN NAME: HDMI-19M/HDMI-19M CABLE
CHECKED <i>peavl</i>	07/25/08	PRODUCT NO. CF0313A24BE1M5
APPROVED <i>Joe</i>	07/25/08	FILE NAME: CF0313A24BE1M5(25)
DATE	SIZE A4	REV. A

REV. A	ECN-0807239(Catherine)	DESCRIPTION	DATE	07/24/08
--------	------------------------	-------------	------	----------



Note:
 1.HDMI-19P Mold No.:DM₁-H731.
 2.HDMI-19P After PRE-Mold Wrapped Copper Foil.
 3.Cable Jacket Marking:"DAEC".
 4.RO=RoHS Compliant Certified.



Pin out	
P1	P2
3 White	3 White
1 Brown	10 Blue
2 Drain wire	11 Drain wire
6 White	13 Red
4 Green	14 Pink
5 Drain wire	15 Gray
9 White	16 White
7 Red	17 Yellow
8 Drain wire	18 Orange
	19 Violet
	Shell Drain Shell

No	Part No	Title	Description
9	GC330030	Stick	Tin Stick-RO
8	NA360030	Paper Tape	Paper Tape.Single Side With Adhesive.W12*L60mm-RO
7	GC300050	Foil	Copper Foil.W20*L60mm-RO
6	JA860020	H.S.T	Black Heat Shrink Tube.ø1.5*L8mm-RO
5	J1190010	PE	Transparent PE-RO
4	JB513960	PVC	PVC 45P-RO Black(T-000)
3	GC340080	Tin	OD:0.6mm-RO
2	19280110	Conn.	HDMI-19PSGS-K-A-RO Solder Type.Shell Nickel Plated.Contact Gold Plated (LCP+SPCC)
1		Cable	UL20276 (1P#30+D+AL+MYLAR)*4C+1P#30+5C#30-RO+D+AL 005.1 Black(T-000)(Without Braid)

PART NO. _____

SERIES NO. _____

CF=HDMI

CONNECTOR OPTION _____

03=HDMI-19/HDMI-19 (MOLDED/MOLDED)

CONNECTOR TYPE _____

1=M/M

LENGTH NO. _____

1M0=1000±.20mm

1M5=1500±.20mm

1M8=1800±.20mm

2M0=2000±.20mm

GREEN OPTION: _____

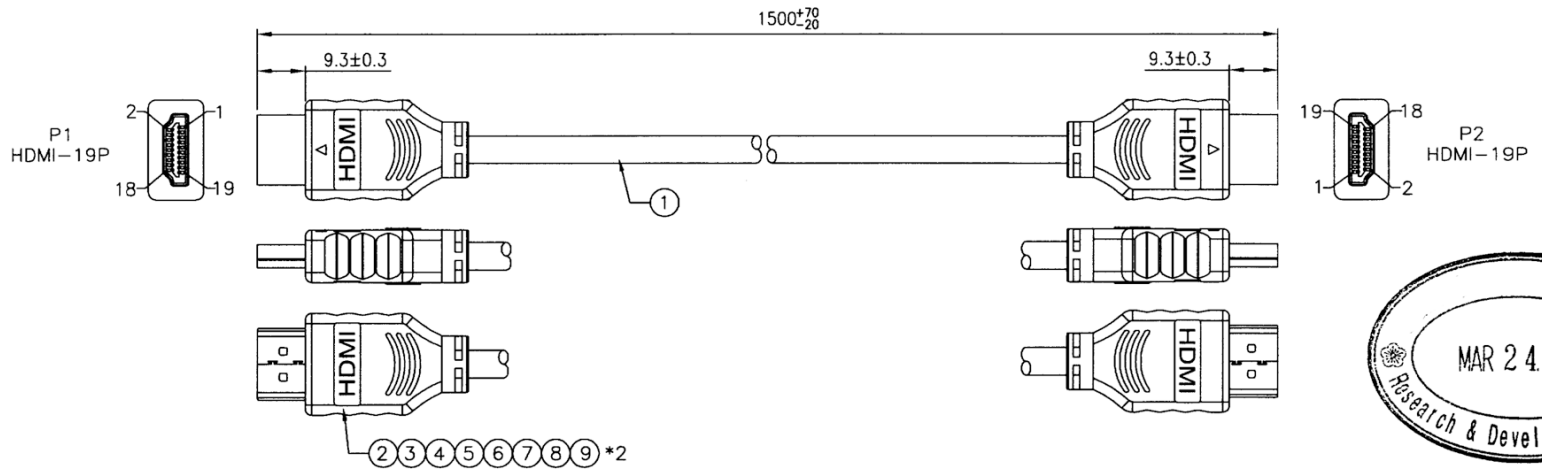
E=RoHS TYPE.

CABLE COLOR _____

3=BLACK

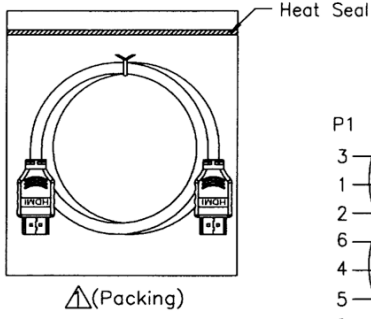
UNLESS OTHERWISE SPECIFIED TOLERANCE		MC-COMPONENTS
0.	±1.0	
.0	±0.5	
.00	±0.3	
SCALE: AS SHOWN	UNIT: mm	
DRAWN PEARL	05/11/09	DRAWN NAME: HDMI-19M/HDMI-19M CABLE
CHECKED <i>Rico</i>	05/11/09	
APPROVED <i>Joe</i>	05/11/09	PRODUCT NO. CF0313A51EXXX
	SIZE A4	REV. A
		FILE NAME: CF0313A51E(25)

REV.	DESCRIPTION	DATE
A	ECN-0905060(Queenie)	05/11/09



Note:
 1.HDMI-19P Mold No.:DM₂-H731.
 2.HDMI-19P After PRE-Mold Wrapped Copper Foil.
 3.Cable Jacket Required Print Letter: "DAEC".

△	11	JD010550	PE Bag	6.5"*10"*0.05mm-R0
△	10	NA110250	Mini Tie	Black L:90mm-R0
	9	GC330030	Stick	Tin Stick-R0
	8	NA360030	Paper Tape	Paper Tape.Single Side With Adhesive.W12*L60mm-R0
	7	GC300050	Copper Foil	Copper Foil.W20*L60mm-R0
	6	JA860020	H.S.T	Black Heat Shrink Tube.Ø1.5*L8mm-R0
	5	JB513960	PVC	45P-R0 Black(T-000)
	4	J1190010	PE	Transparent PE-R0
	3	GC340080	Tin	OD:0.6mm-R0
	2	19280010	Conn.	HDMI-19PSCS4-K-A-R0 Solder Type.Shell Plated Nickel.Contact Gold Plated 15u"
	1		Cable	UL20276 (1P#30+AL+D+MYLAR)*4C+1P#30+SC#30-R0+ADB(Magnalium+BA) 006 Black(T-000)(Rev1.3)(85%BRAND)
	No	Part No	Title	Description



Pin out

P1	White	P2	P1	White	P2
3	Brown	3	12	Blue	12
1	Drain wire	1	10	Drain wire	10
2	White	2	11	Red	11
6	Green	6	13	Pink	13
4	Drain wire	4	14	Gray	14
5	White	5	15	White	15
9	Red	9	16	Yellow	16
7	Drain wire	7	17	Orange	17
8		8	18	Violet	18
			19	Drain	19
			Shell	Shell	Shell



PART NO. _____

SERIES NO. _____

CF=HDMI

CONNECTOR OPTION _____

03=HDMI-19/HDMI-19 (MOLDED/MOLDED)

CONNECTOR TYPE _____

1=M/M

CF 03 1 3 A46 E 1M5

LENGTH NO. _____

1M5=1500mm

GREEN OPTION _____

E=RoHS

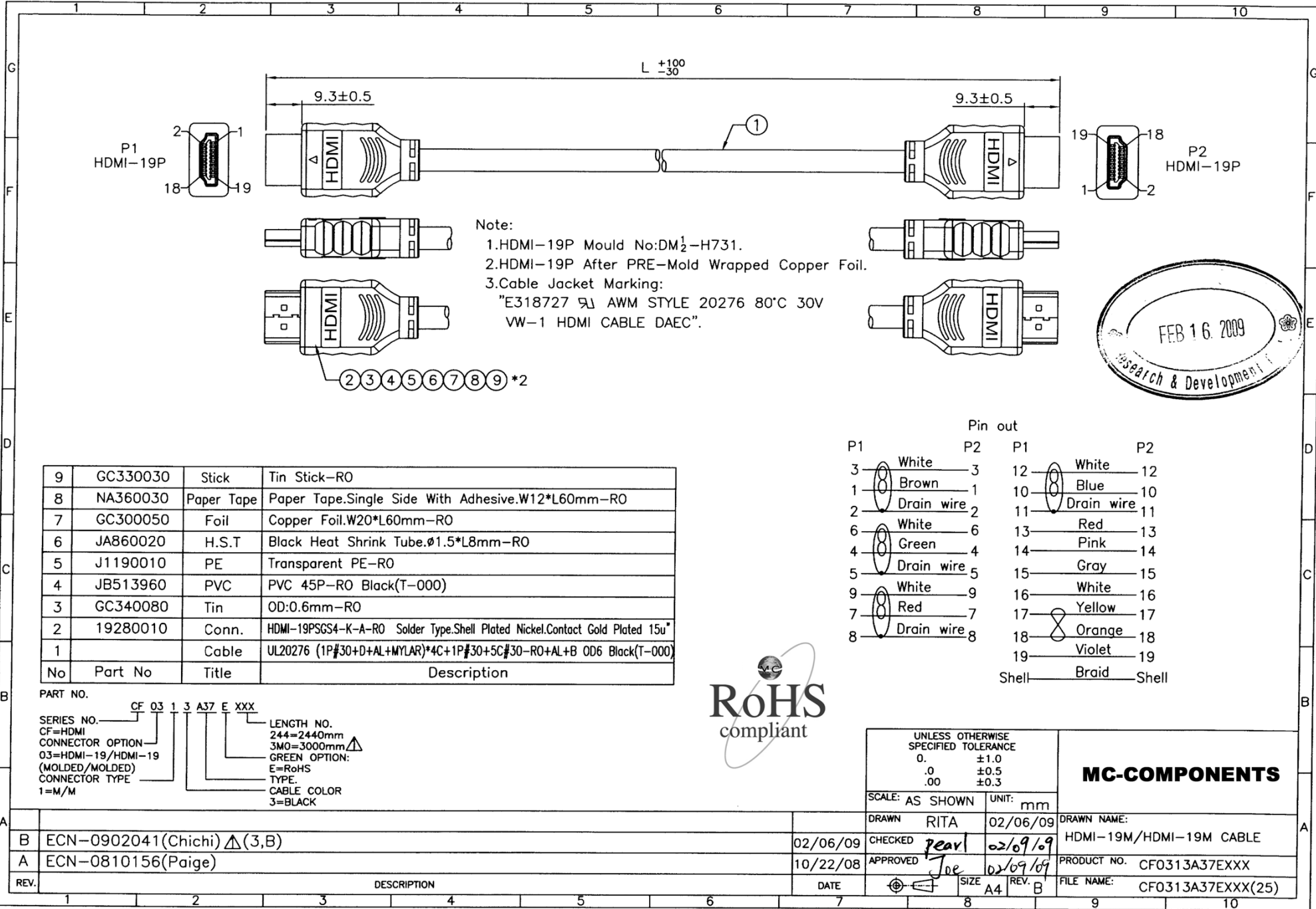
TYPE _____

CABLE COLOR _____

3=BLACK

UNLESS OTHERWISE SPECIFIED TOLERANCE		MC-COMPONENTS	
0.	±1.0		
.0	±0.5		
.00	±0.3		
SCALE: AS SHOWN	UNIT: mm		
DRAWN	JOE	03/17/09	DRAWN NAME:
CHECKED	peavl	03/18/09	HDMI-19M/HDMI-19M CABLE
APPROVED	Joe	03/18/09	PRODUCT NO. CF0313A46E1M5
REV.			FILE NAME: CF0313A46E1M5(25)

B	ECN-0903104(Queenie)△ (1,D)(7,C)	03/16/09	CHECKED	peavl	03/18/09	DRAWN NAME:	HDMI-19M/HDMI-19M CABLE	
A	ECN-0903049(Queenie)	03/06/09	APPROVED	Joe	03/18/09	PRODUCT NO.	CF0313A46E1M5	
REV.	DESCRIPTION	DATE	SIZE	A4	REV.	B	FILE NAME:	CF0313A46E1M5(25)



Note:
 1.HDMI-19P Mould No:DM $\frac{1}{2}$ -H731.
 2.HDMI-19P After PRE-Mold Wrapped Copper Foil.
 3.Cable Jacket Marking:
 "E318727 9J AWM STYLE 20276 80°C 30V
 VW-1 HDMI CABLE DAEC".



9	GC330030	Stick	Tin Stick-R0
8	NA360030	Paper Tape	Paper Tape.Single Side With Adhesive.W12*L60mm-R0
7	GC300050	Foil	Copper Foil.W20*L60mm-R0
6	JA860020	H.S.T	Black Heat Shrink Tube.Ø1.5*L8mm-R0
5	J1190010	PE	Transparent PE-R0
4	JB513960	PVC	PVC 45P-R0 Black(T-000)
3	GC340080	Tin	OD:0.6mm-R0
2	19280010	Conn.	HDMI-19PSGS4-K-A-R0 Solder Type.Shell Plated Nickel.Contact Gold Plated 15u"
1		Cable	UL20276 (1P#30+D+AL+MYLAR)*4C+1P#30+5C#30-R0+AL+B OD6 Black(T-000)
No	Part No	Title	Description

Pin out			
P1	P2	P1	P2
3 White	3	12 White	12
1 Brown	1	10 Blue	10
2 Drain wire	2	11 Drain wire	11
6 White	6	13 Red	13
4 Green	4	14 Pink	14
5 Drain wire	5	15 Gray	15
9 White	9	16 White	16
7 Red	7	17 Yellow	17
8 Drain wire	8	18 Orange	18
		19 Violet	19
		Shell Braid Shell	



PART NO. _____
 SERIES NO. _____
 CF=HDMI
 CONNECTOR OPTION
 03=HDMI-19/HDMI-19
 (MOLDED/MOLDED)
 CONNECTOR TYPE
 1=M/M
 LENGTH NO.
 244=2440mm
 3M0=3000mm
 GREEN OPTION:
 E=RoHS
 TYPE.
 CABLE COLOR
 3=BLACK

UNLESS OTHERWISE SPECIFIED TOLERANCE		MC-COMPONENTS
0. ±1.0	.00 ±0.3	
SCALE: AS SHOWN	UNIT: mm	
DRAWN RITA	02/06/09	DRAWN NAME: HDMI-19M/HDMI-19M CABLE
CHECKED <i>pearl</i>	02/09/09	PRODUCT NO. CF0313A37EXXX
APPROVED <i>Joe</i>	02/09/09	FILE NAME: CF0313A37EXXX(25)
SIZE A4	REV. B	

REV.	DESCRIPTION	DATE
B	ECN-0902041(Chichi) Δ(3,B)	02/06/09
A	ECN-0810156(Paige)	10/22/08