

NOTES:
 1.100% TEST OPEN, SHORT & MISWIRE.
 2.PACKING: 1PCS/BAG.

ITEM	QTY	PART NUMBER	DESCRIPTION
⑥	1	PE BAG	100x180mm.
⑤	2	MINI TIE	COLOR WHITE.
④	2	OUTER MOLD	PVC 45P COLOR TRANSPARENT(4-01) MOLD NO.: WE06001.
③	2	INNER MOLD	PE
②	2	CONNECTOR	IEEE 1394 6P MALE SOLDER TYPE GOLD PLATED 30u". BLACK/NICKEL.
①	1	CABLE	UL20276 (28AWGx1P+AM+B)x2PCS+22AWGx2C+M+AM+B. OD=6.1 COLOR TRANSPARENT (4-01)

PART NO.	L () ±	APPROVED

LENGTH TOTAL TOLERANCE:
 500 ≥ L ±10
 500 < L < 1000 ± 20
 L ≥ 1000 ± 30

PART NO. _____
 SERIES NO. CC 03 1 4 XXX - XXX LENGTH NO. _____
 CC=IEEE 1394 EX:03F=3FT,3M5=3.5M
 CONNECTOR OPTION 50C=50CM
 03=6P/6P (成型/成型) TYPE.
 CONTACT TYPE A54=L1
 1=M/M B54=L2
 CABLE COLOR
 4=TRANSPARENT

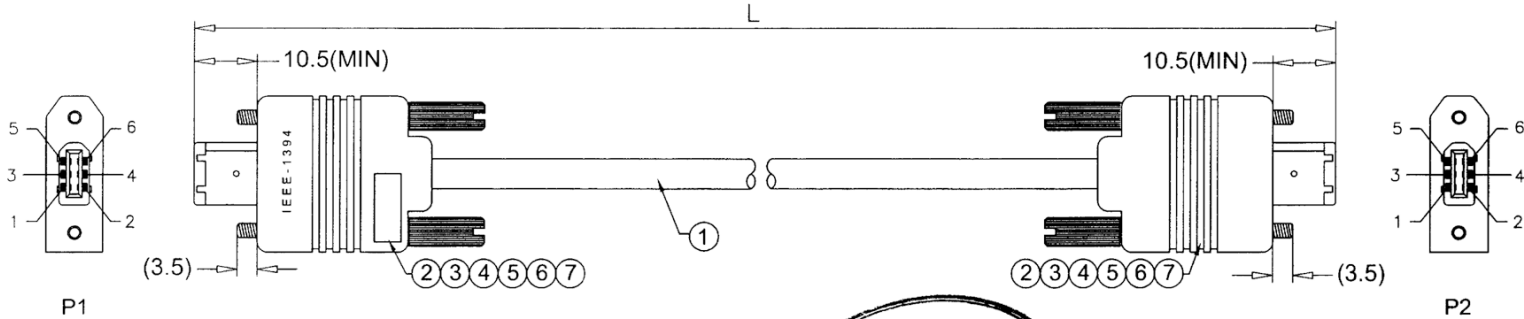


UNLESS OTHERWISE SPECIFIED TOLERANCE	
0.	±1.0
.0	±0.5
.00	±0.3

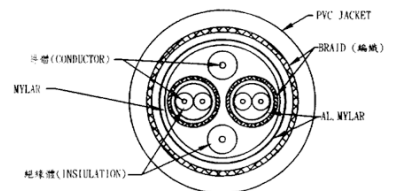
MC-COMPONENTS

SCALE: AS SHOWN	UNIT: mm	DRAWN NAME: IEEE 1394 6P M/ 6P M CABLE
DRAWN PEARL	01/09/02	PRODUCT NO. CC031XXXX-XXX
CHECKED Joe	01/14/02	FILE NAME: CC031XA54(2)
APPROVED BeKe	1/14/02	

REV.	DESCRIPTION	DATE
A	DRA-0201018(Chris)	01/09/02



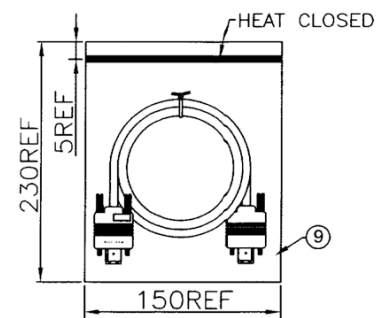
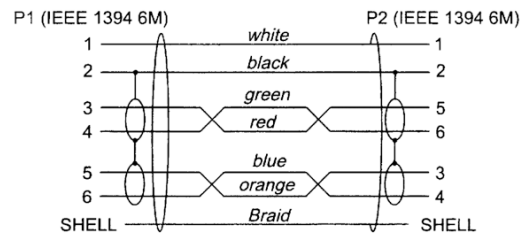
CABLE SECTION DRAWING



TEST:
 1.100% OPEN&SHORT AND MISS WIRE TEST;
 2.TEST CODITION:
 1).CONDUCTANCE RESISTANCE:3Ω MAX
 2).SHORT OPEN DETERMINANT:20KΩ
 3).INSULATION RESISTANCE:20MΩ MIN AT DC200V.
 3. THIS CABLE HAS SHALL BE "RoHS" COMPLIANT.

ITEM	DESCRIPTION	Q'TY
7	H.S.T#1.5*15*0.15mm BLACK(RoHS)	2PCS
6	H.S.T#5.0*5*0.15mm BLACK(RoHS)	2PCS
5	PREMOLD,LD-PE (RoHS)	7g
4	OVERMOLD PVC 4SP LEAD FREE GRAY(UL10564)(RoHS)	12g
3	2.5x28.5mm METAL M2.0 SCREW (RoHS)	4PCS
2	IEEE 1394 6P MALE INSULATIN BLACK SOLIDER TYPE NICKEL SHELL CONNCTACT GOLD PLATED 30u'(RoHS)	2PCS
1	UL20276 [(2BAWGx1P+AM+B)x2PCS+22AWGx2C]+M+AM+B. OD.6.0 COLOR GRAY(UL10564) (RoHS)	1PCS

WIRE LIST



PART NO.	L ±	APPROVED

LENGTH TOTAL TOLERANCE:
 500 ≥ L ±10
 500 < L < 1000 ± 20
 L ≥ 1000 ± 30



PART NO. _____
 SERIES NO. _____
 CC=IEEE 1394
 CONNECTOR OPTION _____
 03=6P/6P (MOLDED/MOLDED)
 CONTACT TYPE _____
 1=M/M

LENGTH NO. _____
 EX:03F=3FT,3M5=3.5M
 50C=50CM
 ENVIRONMENT PROTECTION MATERIAL:
 E=RoHS
 TYPE _____
 CABLE COLOR _____
 2=GRAY

UNLESS OTHERWISE SPECIFIED TOLERANCE	
0.	±1.0
.0	±0.5
.00	±0.3

MC-COMPONENTS	
SCALE: AS SHOWN	UNIT: mm
DRAWN JOE	02/12/07
CHECKED <i>Devi</i>	02/14/07
APPROVED <i>black</i>	02/14/07
DRAWN NAME:	IEEE 1394 6M/6M CABLE
PRODUCT NO.:	CC0312A57EXXX
FILE NAME:	CC0312A57E(95)

REV.	DESCRIPTION	DATE
A	ECN-0702073(Jenny)	01/26/07