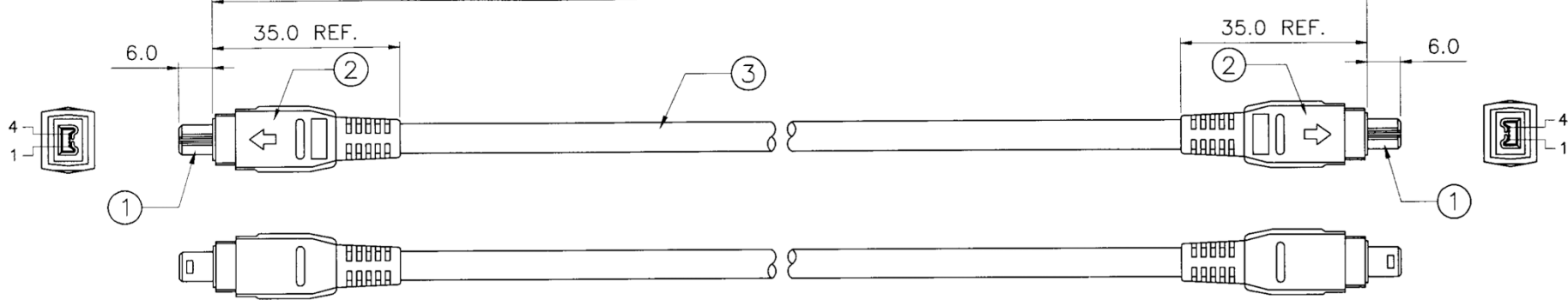


1 2 3 4 5 6 7 8 9 10



P1

P2

NOTES

- 1.OPEN&SHORT TEST.
- 2.CONNECTION RESISTANCE: 2Ω (MAX.)
- 3.INSULATION RESISTANCE: 100MΩ (MIN.)
- 4.HI-POT TEST: DC 650V/100ms
- 5.PART DESCRIPTION:

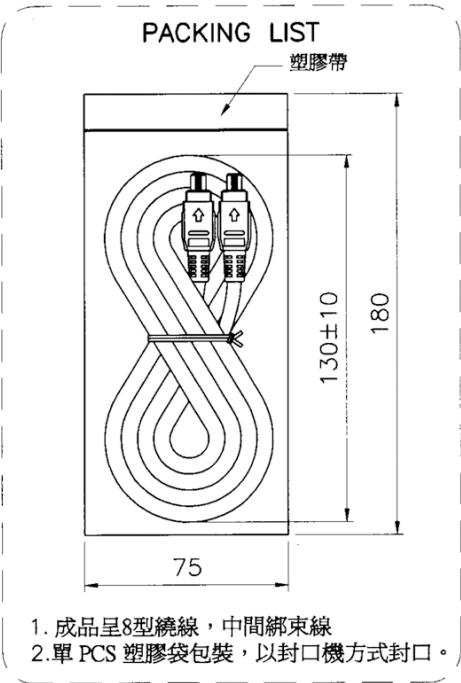


ITEM	PART	DESCRIPTION
1	CONNECTOR	IEEE 1394 4P MALE,INSULATOR; BLACK
2	PLASTIC HOOD	PBT MATERIAL FOR 4P
3	CABLE	UL20276 2 PAIR A.E.B 1394 CABLE(FOR 100mΩ)

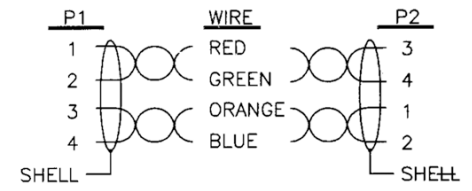
2.PART NO.

SERIES NO. CC 01 1 X 01 - XXX
 CC=IEEE 1394
 CONNECTOR OPTION 01=4P(組裝)/4P(組裝)
 CONTACT TYPE 1=M/M

LENGTH NO. EX:03F=3FT,3M5=3.5M
 50C=50CM
 TYPE. CABLE COLOR
 1=BEIGE
 2=GREY
 3=BLACK
 4=TRANSPARENT



PIN ASSIGNMENT:



PART NO.	L ±	APPROVED

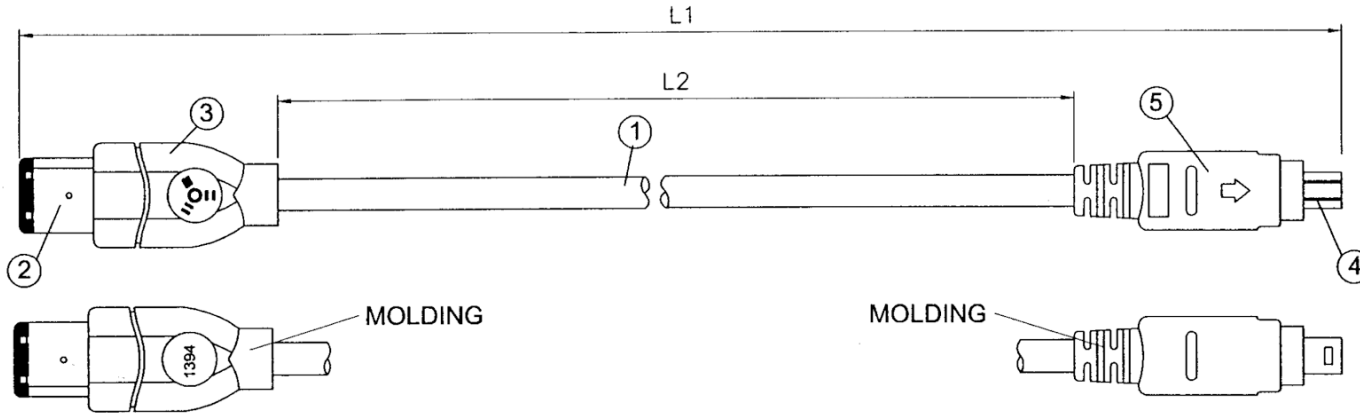
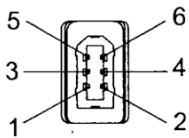
LENGTH TOTAL TOLERANCE:
 500 ≥ L ±20
 500 < L < 1000 ± 30
 L ≥ 1000 ± 50

UNLESS OTHERWISE SPECIFIED TOLERANCE		MC-COMPONENTS
0. ±1.0		
.0 ±0.5		
.00 ±0.3		
SCALE: 1:1	UNIT: mm	
DRAWN Rebecca	11/15/99	DRAWN NAME: CABLE(MOLDED) IEEE 1394 4P/4P
CHECKED [Signature]	11/15/99	PRODUCT NO. CC011X01-XXX
APPROVED [Signature]	11/15/99	FILE NAME: CC011X01
SIZE A4	REV. A	

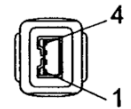
REV.	DESCRIPTION	DATE
A	ECN-9911046	11/15/99

1 2 3 4 5 6 7 8 9 10

IEEE 1394 6M



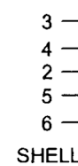
IEEE 1394 4M



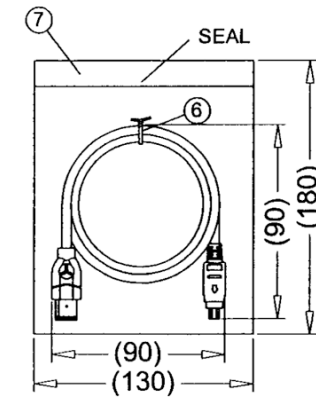
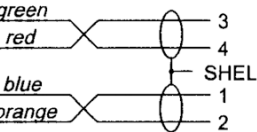
- NOTES:
 1. 100% TEST OPEN, SHORT & MISWIRE.
 2. PACKING: 1PCS/BAG.

ITEM	Q'TY	PART NUMBER	DESCRIPTION
⑦	1	PE BAG	130x180mm.
⑥	1	MINI TIE	COLOR BLACK.
⑤	1	OUTER MOLD	PVC 45P MOLD NO.: WE06003.
④	1	CONNECTOR	IEEE 1394 4P MALE MOLDED TYPE CONTACTS GOLD PLATED 30U".
③	1	OUTER MOLD	PVC 45P MOLD NO.: WE06001.
②	1	CONNECTOR	IEEE 1394 6P MALE SOLDER TYPE GOLD PLATED 30u". BLACK/NICKEL.
①	1	CABLE	UL20379 (30AWGx1P+AM+S.P)x2PCS+M+B. OD.4.8
PARTS LIST			

IEEE 1394 6M



IEEE 1394 4M



PART NO.

SERIES NO. CC 29 1 X XXX - XXX LENGTH NO.
 CC=IEEE 1394 EX:03F=3FT,3M5=3.5M
 CONNECTOR OPTION 50C=50CM
 29=6P/4P 成型/成型 TYPE.
 CONTACT TYPE A50=L1
 1=M/M B50=L2
 CABLE COLOR
 1=BLACK
 2=GRAY
 3=BLACK
 4=TRANSPARENT

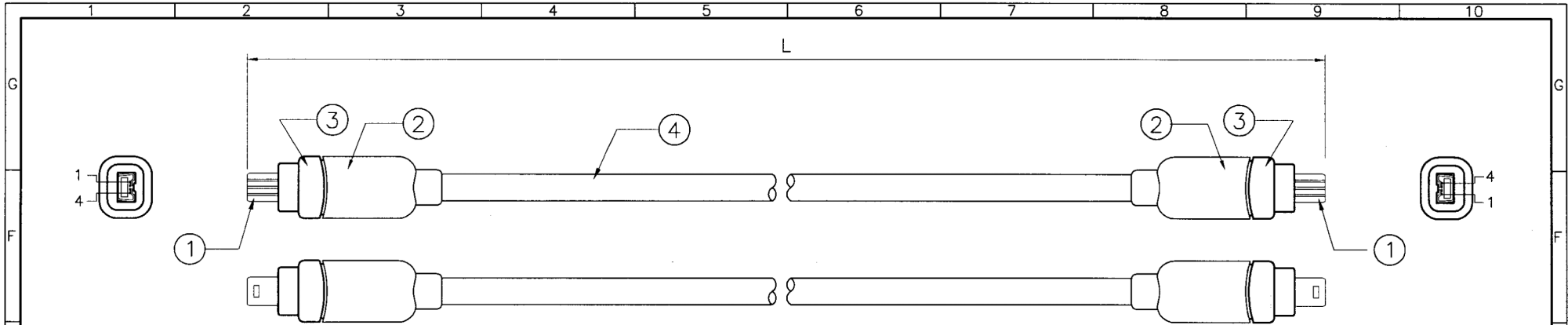


PART NO.	L() ±	APPROVED

LENGTH TOTAL TOLERANCE:
 500 ≥ L ±20
 500 < L < 1000 ± 30
 L ≥ 1000 ± 50

UNLESS OTHERWISE SPECIFIED TOLERANCE	mm	MC-COMPONENTS
0. ±1.0 .0 ±0.5 .00 ±0.3		
SCALE: AS SHOWN	UNIT:	
DRAWN JOE	01/09/02	DRAWN NAME: IEEE 1394 6M/4M CABLE
CHECKED pearl	01/14/02	
APPROVED Becke	01/16/02	PRODUCT NO. CC291XXXX-XXX
		FILE NAME: CC291XA50(2)

REV.	A	DRA-0201019(Chris)	DESCRIPTION	DATE	01/09/02	SIZE	A4	REV.	A
------	---	--------------------	-------------	------	----------	------	----	------	---



- NOTES**
- 1.OPEN & SHORT TEST.
 - 2.CONNECTION RESISTANCE: 2Ω (MAX.) P1
 - 3.INSULATION RESISTANCE: $100M\Omega$ (MIN.)
 - 4.TRANSMISSION SPEED: 400MHZ
 - 5.HI-POT TEST: DC 650V/100ms
 - 6.PART DESCRIPTION:

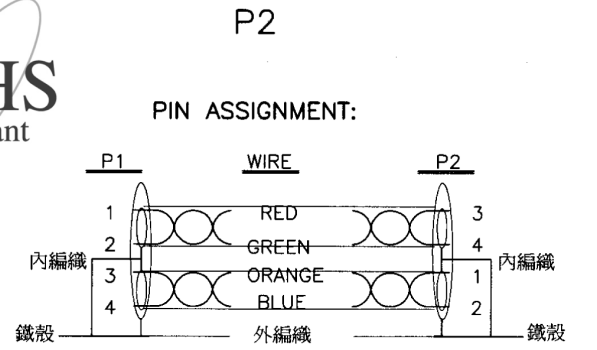
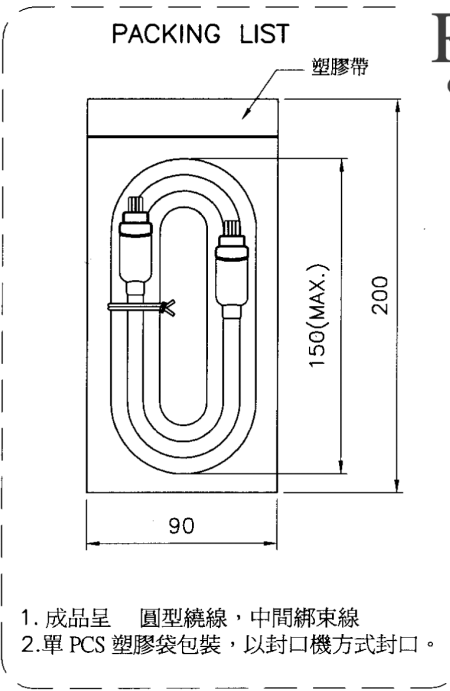
ITEM	PART	DESCRIPTION
1	CONNECTOR	IEEE 1394 4P MALE,INSULATOR; BLACK
2	OUTSIDE MOLDED	PVC MATERIAL,COLOR BY REQUEST
3	INSERT MOLDED	PVC MATERIAL,COLOR BY REQUEST
4	CABLE	UL20276 2PAIR A.E.B.1394 CABLE (TRANSMISSION SPEED: 400MHZ)

7.PART NO.

SERIES NO. CC 19 1 X 50 - XXX LENGTH NO. EX:03F=3FT,3M5=3.5M
 CC=IEEE 1394 EX:03F=3FT,3M5=3.5M
 CONNECTOR OPTION 19=4P/4P 50C=50CM
 CONTACT TYPE 1=M/M TYPE. CABLE COLOR
 3=BLACK
 4=TRANSPARENT

8.INSERT MOLDED & OUTSIDE MOLDED COLOR LIST:

CABLE	INSERT MOLDED	OUTSIDE MOLDED
BLACK	BLACK	BLACK
TRANSPARENT	G4	TRANSPARENT



PART NO.	L ±	APPROVED
CC191_50-___		

LENGTH TOTAL TOLERANCE:
 $500 \geq L \pm 20$
 $500 < L < 1000 \pm 30$
 $L \geq 1000 \pm 50$

UNLESS OTHERWISE SPECIFIED TOLERANCE		SCALE: AS SHOW	UNIT: mm	DRAWN NAME:		
0.	±1.0				DRAWN	10/11/00
.0	±0.5	CHECKED	10/26/00			
.00	±0.3	APPROVED	05/06/00	PRODUCT NO. CC191X50-XXX		
REV.	DESCRIPTION	DATE/Y2K	SIZE A4	REV. C	FILE NAME: CC191X50	

C	ECN-0010018	10/11/00	DRAWN	Eve	10/11/00	DRAWN NAME:	CABLE(MOLDED) IEEE 1394 4P/4P
B	ECN-0006101	06/29/00	CHECKED	張金喜	10/26/00	PRODUCT NO.	CC191X50-XXX
A		05/06/00	APPROVED	Belie	05/06/00	FILE NAME:	CC191X50