

NOTES: Δ

- 100% ELECTRICAL TEST
- TEST CONDITION
 - CONDUCTOR RESISTANCE: 5 Ω
 - INSULATION RESISTANCE: 20M Ω
 - RATED VOLTAGE: DC 300V
 - SHORT CIRCUIT DETERMINANT: 20K Ω
- USB MOULD NO
 - PREMOULD : 0462
 - OVERMOULD : 0417
- CN1: 100% ALUMINIUM FOIL SURROUND
360° SOLDER TO SHILED

NO.	DESCRIPTION	QTY
Δ 10	ALUMINIUM FOIL: 40*30mm (RoHS)	1PCS
Δ 9	PE, TRANSPARENT (RoHS)	5g
8	PVC :35P BEIGE(UL20218) (RoHS)	10g
7	HST: ø1.5*8mm BLACK (RoHS)	2PCS
6	HST: ø1.5*30mm BLACK (RoHS)	1PCS
5	HST: ø5.0*12mm BLACK (RoHS)	1PCS
4	TER: JST PH2.0 (RoHS)	5PCS
Δ 3	HSG: JST PH2.0mm 1*5PIN WHITE (RoHS)	1PCS
Δ 2	USB AF/4P G/F (RoHS)	1PCS
Δ 1	USB2.0 CABLE #28*1P+#24*2C+AEB OD:4.8±0.15MM PVC BEIGE(UL20218) (RoHS)	1PCS

WIRE LIST:

CN1	1	CN2	5	Δ	RED
	2		4		WHITE
	3		3		GREEN
	4		2		BLACK
SHELL			1		GROUND



PART NO.	L ±	APPROVED

LENGTH TOTAL TOLERANCE:
 500 ≥ L ± 10
 500 < L < 1000 ± 20
 L > 1000 ± 30



PART NO. _____

SERIES NO. C8 08 A 1 A14 E XXX

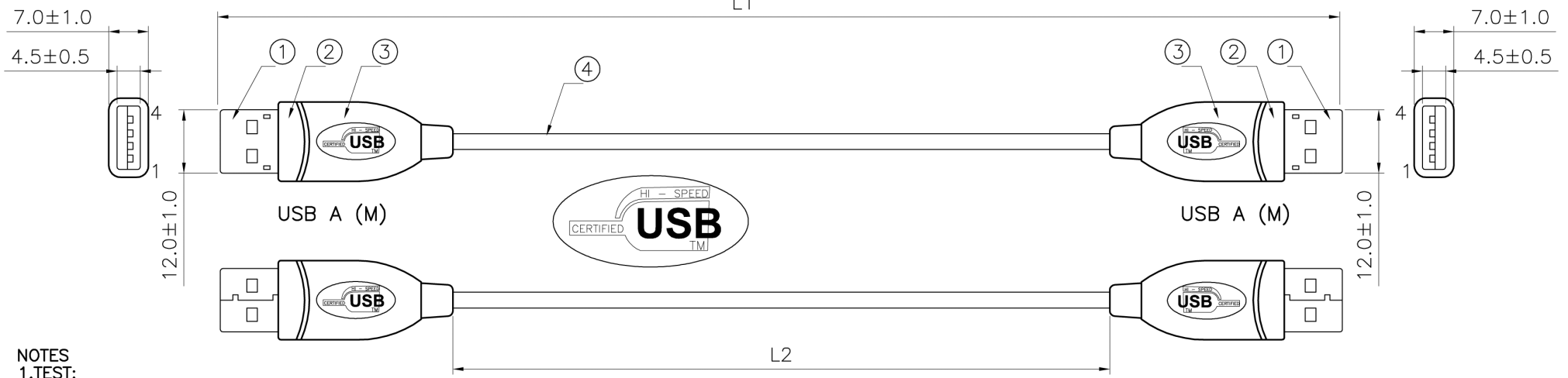
C8=USB TYPE(USB)
 CONNECTOR OPTION
 08=USB (2.0)/HSG
 CONTACT TYPE
 A=A TYPE

LENGTH NO.
 EX: 03F=3FT, 3M5=3.5M
 50C=50CM

ENVIRONMENT PROTECTION MATERIAL:
 E=RoHS
 TYPE.
 CABLE COLOR
 1=BEIGE

UNLESS OTHERWISE SPECIFIED TOLERANCE		MC-COMPONENTS
0.	±1.0	
.0	±0.5	
.00	±0.3	
SCALE: AS SHOWN	UNIT: mm	
DRAWN PEARL	04/26/07	DRAWN NAME: USB AF 2.0/HSG 5P CABLE 1/2
CHECKED <i>Joe</i>	04/30/07	
APPROVED <i>Clark</i>	05/01/07	PRODUCT NO: C808A1A14EXXX
	SIZE A4	FILE NAME: C808A1A14E(95)

REV.	DESCRIPTION	DATE	REV.	DESCRIPTION	DATE
C	ECN-0704156(Jessie) Δ (1,E)(4,G)	04/16/07			
B	ECN-0703020(Jessica) Δ (1,E)(4,G)	03/01/07			
A	DRA-0610010(Jessica)	10/05/06	D	ECN-0704198(Jessica) Δ (1,F)(1,D)(2,G)(8,D)	04/26/07



NOTES

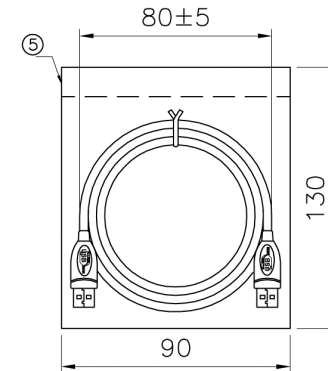
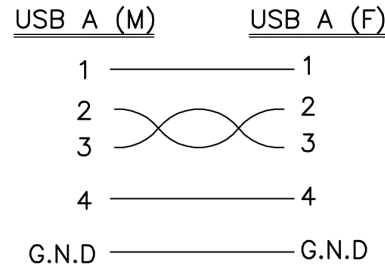
1.TEST:

- 1)Open & Short Test
- 2>Contact Resistance: 2 Ohm (max.)
- 3)Insulation Resistance: 100 M Ohm (min.)
- 4)Hi-pot Test: dc 650V/100ms.

2.Packing: 1Pcs/Bag.

Item	Parts	Description
1	CONN.	USB A Type Male Connector
2	INSEDT MOLDED	P.V.C.
3	OUTSEDT MOLDED	P.V.C.
4	Cable	USB 2.0 UL 2725 1 Pair (28 AWG) +2C (28AWG) A.E.B. ICE O.D:3.5mm
5	PE BAG	90x130

PIN ASSIGNMENT



每箱裝數: 200PCS

PART NO.

SERIES NO. C8 07 8 X XXX - XXX LENGTH NO. EX:03F=3FT,3M5=3.5M
 C8=USB TYPE(USB) 50C=50CM
 CONNECTOR OPTION 07=USB(2.0)/USB(2.0) TYPE.
 CONTACT TYPE 8=A(M)/A(M) A01=L1
 B01=L2
 CABLE COLOR
 1=BEIGE
 2=GREY
 3=BLACK
 4=TRANSPARENT
 6=TRANSPARENT BLUE

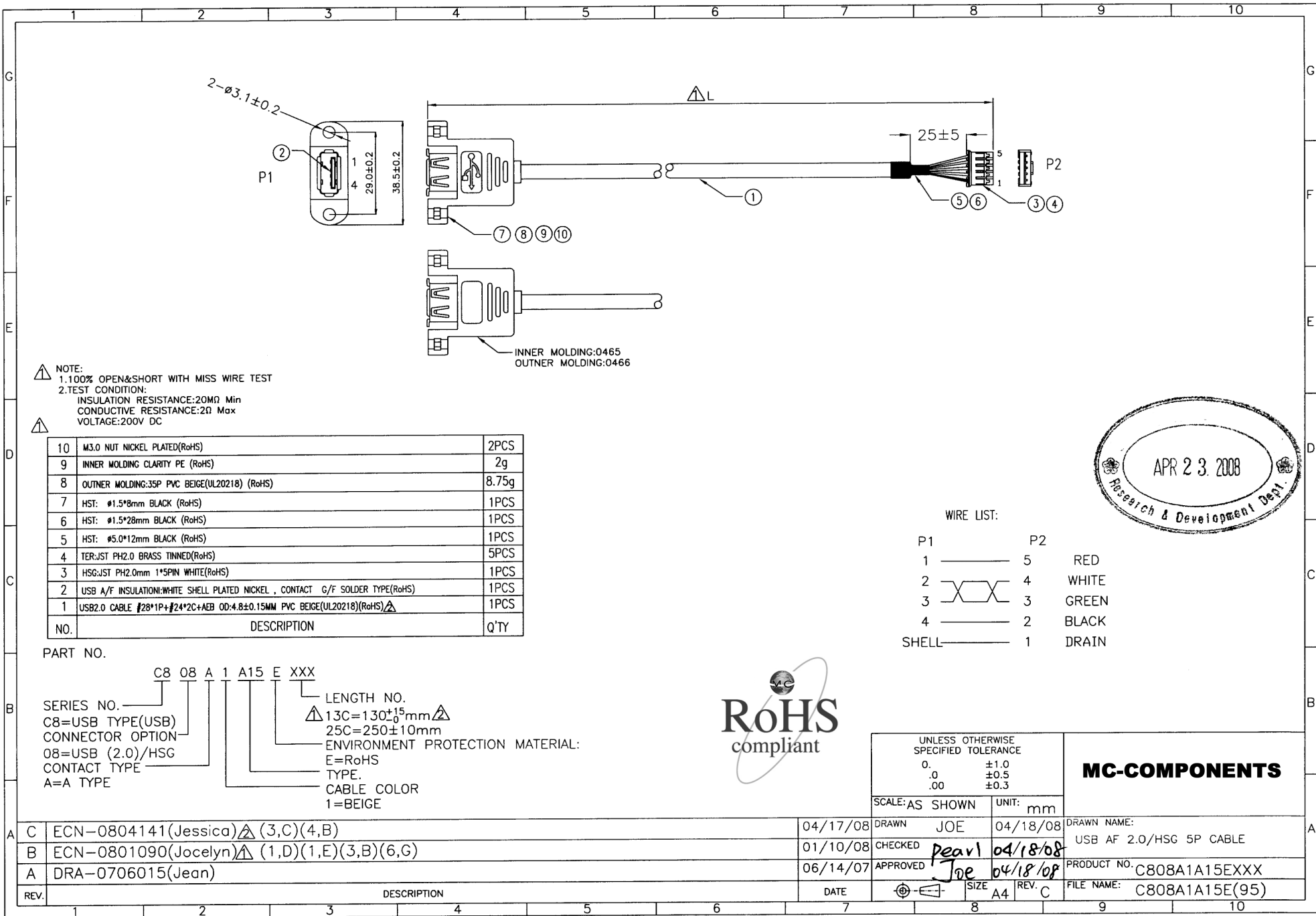
PART NO.	L ±	APPROVED

LENGTH TOTAL TOLERANCE:

- 500 ≥ L ± 10
- 500 < L < 1000 ± 20
- L > 1000 ± 30

UNLESS OTHERWISE SPECIFIED TOLERANCE		MC-COMPONENTS
0.	±1.0	
.0	±0.5	
.00	±0.3	
SCALE: AS SHOWN	UNIT: mm	
DRAWN JOE	08/23/01	DRAWN NAME: USB AM (2.0)/USB AM (2.0) CABLE
CHECKED	/ /	
APPROVED	/ /	PRODUCT NO. C8078XXXX-XXX
REV. A		FILE NAME: C8078XA01(30)

REV.	DESCRIPTION	DATE	SIZE	REV.	FILE NAME:
A	ECN-0108102(vincent)	08/23/01	A4	A	C8078XA01(30)



NOTE:
 1. 100% OPEN&SHORT WITH MISS WIRE TEST
 2. TEST CONDITION:
 INSULATION RESISTANCE:20MΩ Min
 CONDUCTIVE RESISTANCE:2Ω Max
 VOLTAGE:200V DC

10	M3.0 NUT NICKEL PLATED(RoHS)	2PCS
9	INNER MOLDING CLARITY PE (RoHS)	2g
8	OUTNER MOLDING:35P PVC BEIGE(UL20218) (RoHS)	8.75g
7	HST: #1.5*8mm BLACK (RoHS)	1PCS
6	HST: #1.5*28mm BLACK (RoHS)	1PCS
5	HST: #5.0*12mm BLACK (RoHS)	1PCS
4	TER:JST PH2.0 BRASS TINNED(RoHS)	5PCS
3	HSG:JST PH2.0mm 1*5PIN WHITE(RoHS)	1PCS
2	USB A/F INSULATION:WHITE SHELL PLATED NICKEL , CONTACT G/F SOLDER TYPE(RoHS)	1PCS
1	USB2.0 CABLE #28*1P+#24*2C+AEB OD:4.8±0.15MM PVC BEIGE(UL20218)(RoHS)	1PCS
NO.	DESCRIPTION	Q'TY

PART NO.

SERIES NO. C8 08 A 1 A15 E XXX
 C8=USB TYPE(USB)
 CONNECTOR OPTION
 08=USB (2.0)/HSG
 CONTACT TYPE
 A=A TYPE

LENGTH NO. Δ 13C=130±15mm Δ
 25C=250±10mm
 ENVIRONMENT PROTECTION MATERIAL:
 E=RoHS
 TYPE.
 CABLE COLOR
 1=BEIGE



WIRE LIST:

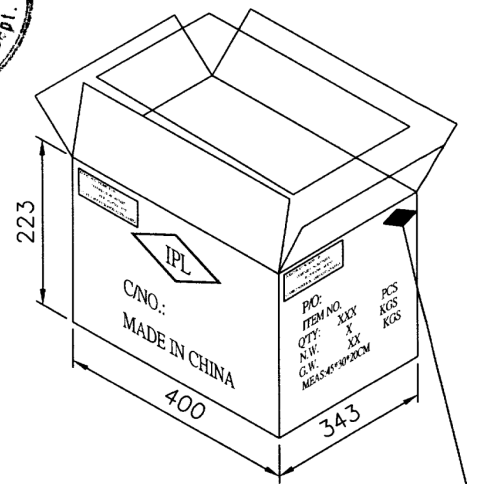
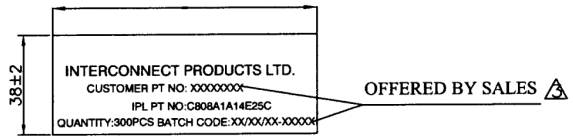
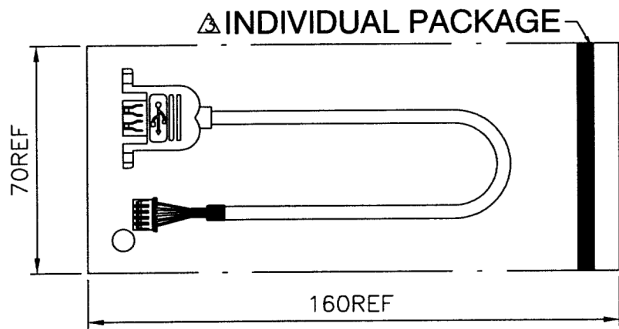
P1	1	5	RED
	2	4	WHITE
	3	3	GREEN
	4	2	BLACK
SHELL		1	DRAIN



UNLESS OTHERWISE SPECIFIED TOLERANCE	
0.	±1.0
.0	±0.5
.00	±0.3
SCALE: AS SHOWN	UNIT: mm

MC-COMPONENTS	
DRAWN NAME:	USB AF 2.0/HSG 5P CABLE
PRODUCT NO.	C808A1A15EXXX
FILE NAME:	C808A1A15E(95)

REV.	DESCRIPTION	DATE	APPROVED	SIZE	REV.
C	ECN-0804141(Jessica) Δ (3,C)(4,B)	04/17/08	DRAWN JOE	A4	04/18/08
B	ECN-0801090(Jocelyn) Δ (1,D)(1,E)(3,B)(6,G)	01/10/08	CHECKED peavi		04/18/08
A	DRA-0706015(Jean)	06/14/07	APPROVED Joe		04/18/08



- PACKING:
- 20PCS/ PE BAG (PE BAG SPEC 300*280mm)
 - 15 PE BAGS IN PER CARTON
SET UP 2PCS CLAPBOARD FOR TOP AND BOTTOM
 - BLANK LABEL (99*38mm) BE STICKED ON THE UP-LEFT OF THE FOUR SIDES OF THE CARTON
 - CLAPBOARD : 380*315mm B3C MATERIAL (ROHS)
 - CARTON: 400*343*223mm, K=A MATERIAL AND WITH "IPL" MARK



UNLESS OTHERWISE SPECIFIED TOLERANCE	
0.	±1.0
.0	±0.5
.00	±0.3

MC-COMPONENTS

C	ECN-0704156(Jessie)Add Dwg. 2/2	04/16/07							
B	ECN-0703020(Jessica)	03/01/07							
A	DRA-0610010(Jessica)	10/05/06	D	ECN-0704198(Jessica) (1.D)(3.G)(7.D)	04/26/07	APPROVED	Blank 05/01/07	SIZE A4	REV. D
REV.	DESCRIPTION	DATE	REV.	DESCRIPTION	DATE	SCALE: AS SHOWN	UNIT: mm	DRAWN NAME: USB AF 2.0/HSG 5P CABLE 2/2	
								PRODUCT NO: C808A1A14EXXX	
								FILE NAME: C808A1A14E(95)	