

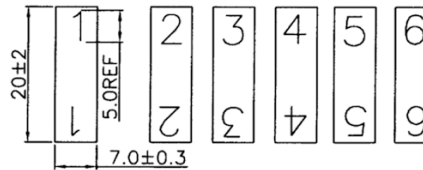
備注: 貼紙貼於OPEN端中間位置

NOTES:

- 1.100% OPEN&SHORT WITH MISS WIRE TEST
- 2.TEST CODITION:
  - 1).CONDUCTANCE RESISTANCE:2Ω
  - 2).SHORT OPEN DETERMINANT:20KΩ
  - 3).INSULATION RESISTANCE:20MΩ AT DC200V.



12	強粘貼紙:20*7MM 黃底黑字 印"6" (RoHS)	1PCS
11	強粘貼紙:20*7MM 黃底黑字 印"5" (RoHS)	1PCS
10	強粘貼紙:20*7MM 黃底黑字 印"4" (RoHS)	1PCS
9	強粘貼紙:20*7MM 黃底黑字 印"3" (RoHS)	1PCS
8	強粘貼紙:20*7MM 黃底黑字 印"2" (RoHS)	1PCS
7	強粘貼紙:20*7MM 黃底黑字 印"1" (RoHS)	1PCS
6	HST:Φ1.0*40mm (RoHS)	1PCS
5	PE料 (RoHS)	3g
4	PVC料 45P(RoHS)	6g
3	HST:Φ1.0*8mm (RoHS)	1PCS
2	MINI DIN 6M (加地線),端子鍍半金/G/F 鍍鍍線 (RoHS)	1PCS
1	NO UL 28AWG*6C+EA OD:4.0MM (RoHS)	1PCS
ITEM	DESCRIPTION	Q'TY



THE WIRING CONNECTIONS:

MD6M	OPEN	貼紙印字內容
1	BLACK	1
2	BROWN	2
3	RED	3
4	ORANGE	4
5	YELLOW	5
6	GREEN	6
SHELL	DRAIN WIRE	

PART NO.

SERIES NO. C6 18 M X A03A E XXX LENGTH NO. EX:03F=3FT,3M5=3.5M  
 C6=MINI DIN TYPE 50C=50CM  
 CONNECTOR OPTION ENVIRONMENT PROTECTION MATERIAL:  
 18=MID6/OPEN (MOLDED) E=RoHS  
 CONTACT TYPE TYPE.  
 M=M(單頭) CABLE COLOR  
 1=BEIGE  
 2=GRAY  
 3=BLACK



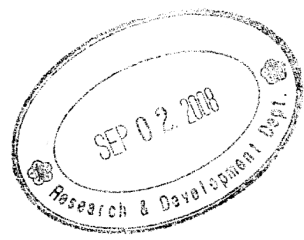
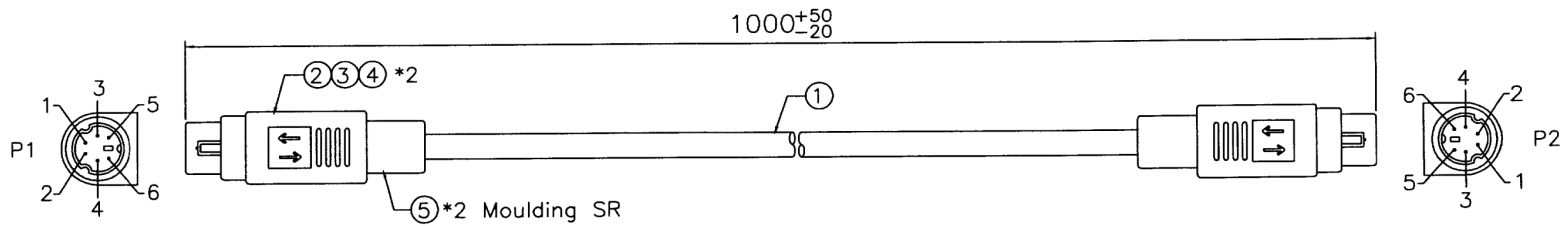
PART NO.	L ±	APPROVED

LENGTH TOTAL TOLERANCE:  
 500 ≥ L ±10  
 500 < L < 1000 ± 20  
 L ≥ 1000 ± 30

UNLESS OTHERWISE SPECIFIED TOLERANCE		<b>MC-COMPONENTS</b>
0. ±1.0	.0 ±0.5	
.00 ±0.3		
SCALE: AS SHOWN	UNIT: mm	
DRAWN PEARL	01/07/08	DRAWN NAME: MID6M/OPEN CABLE 1/2
CHECKED <i>Cherry</i>	01/07/08	
APPROVED <i>Joe</i>	01/07/08	PRODUCT NO. C618MXA03AEXXX
		FILE NAME: C618MXA03AE(95)

REV.	DESCRIPTION	DATE
A	ECN-0801047(Chichi)	01/07/08





NOTE:  
1.MD-6P SR Mould NO:DM2-E421.

Pin out

P1	P2
1 — Black	1
2 — Brown	2
3 — Red	3
4 — Orange	4
5 — Yellow	5
6 — Green	6
Shell — Drain	Shell

NO	PART NO	TITLE	DESCRIPTION	Q'TY	UNIT
5	JB513960	PVC	PVC 45P-RO Black(T-000)	6	G
4	JC440060	Mylar	Yellow Mylar W7*L40mm-RO	2	PCS
3	GC340060	Tin	OD:1.0mm-RO	0.5	G
2	1C851180	Conn.	MD-06PA+LOCKING-RO OD5.3 Gold Plated.Black	2	SET
1		Cable	UL2725 6C#28-RO AE OD4.5 Black(T-000)	1	PC

PART NO.

SERIES NO. C6 04 1 3 A05 E 1M0  
 C6=MINI DIN TYPE  
 CONNECTOR OPTION  
 04=MID6/MID6 (MOLDED/MOLDED)  
 CONTACT TYPE  
 1=M/M  
 LENGTH NO.  
 1M0=1000mm  
 GREEN OPTION:  
 E=RoHS  
 TYPE.  
 CABLE COLOR  
 3=BLACK



UNLESS OTHERWISE SPECIFIED TOLERANCE	
0.	±1.0
.0	±0.5
.00	±0.3

**MC-COMPONENTS**

SCALE: AS SHOWN UNIT: mm

DRAWN JOE 08/26/08

CHECKED *peav1* 08/28/08

APPROVED *Joe* 08/28/08

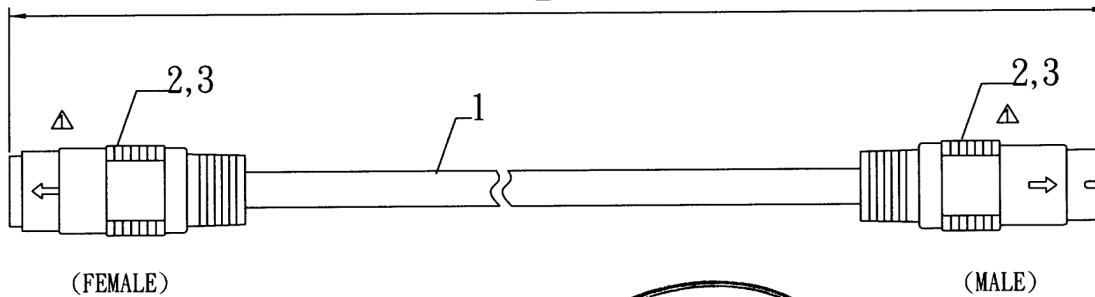
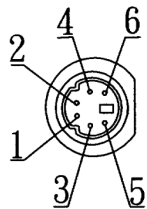
DRAWN NAME: MID6M/MID6M CABLE

PRODUCT NO. C60413A05E1M0

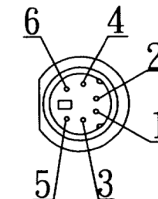
FILE NAME: C60413A05E1M0(25)

REV.	DESCRIPTION	DATE
A	ECN-0808185(Jocelyn)	08/26/08

P1



P2



**ELECTRICAL PROPERTIES:**

1. 100% Open Short Mis-Wire Test
2. Contact Resistance: 3 ohm max
3. Insulation Resistance: 10 mega ohm min
4. Hipot test: DC 300V 10ms



**PIN ASSIGNMENT:**

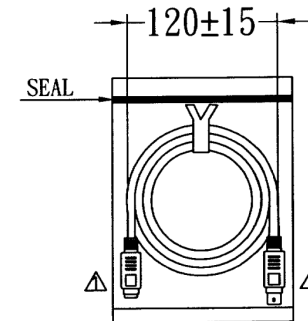
P1	P2
1	1
2	2
3	3
4	4
5	5
6	6

NO.	DESCRIPTION	Q'TY	UNITS
3	OUTSIDE MOLD 45P PVC	16	G
2	MD 6P MALE & FEMALE BLACK	各1	PC
1	NOUL 28AWG/6C OD:3.8 JACKET COLOR:BEIGE	1	PC

PART NO.

SERIES NO. C6 04 2 X 02 E XXX  
 C6=MINI DIN TYPE  
 CONNECTOR OPTION 04= MID6/MID6 (MOLDED/MOLDED)  
 CONTACT TYPE 2=M/F

LENGTH NO. EX:03F=3FT,3M5=3.5M  
 50C=50CM  
 ENVIRONMENT PROTECTION MATERIAL:  
 E=RoHS TYPE  
 CABLE COLOR  
 1=BEIGE  
 2=GRAY  
 3=BLACK



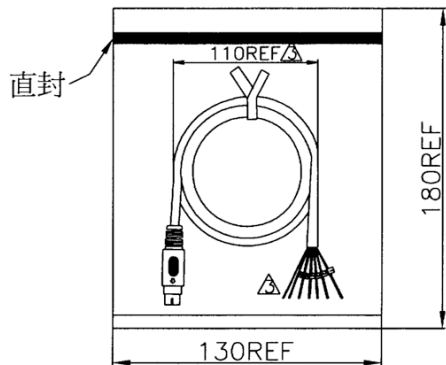
PART NO.	L ±	APPROVED

**LENGTH TOTAL TOLERANCE:**  
 500 ≥ L ±20  
 500 < L < 1000 ± 30  
 L ≥ 1000 ± 50

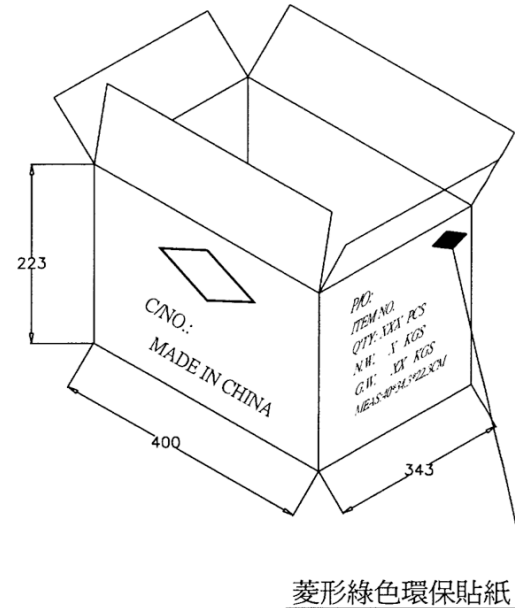


UNLESS OTHERWISE SPECIFIED TOLERANCE		UNIT: mm	<b>MC-COMPONENTS</b>
0.	±1.0		
.0	±0.5		
.00	±0.3		
DRAWN	JOE	03/05/07	DRAWN NAME:
CHECKED	<i>peav</i>	03/07/07	MID6M/MID6F CABLE
APPROVED	<i>[Signature]</i>	02/14/07	PRODUCT NO. C6042X02XXXX
DATE			FILE NAME: C6042X02E(D3)

REV.	DESCRIPTION	DATE	SIZE	REV.
B	ECN-0703022(Emily) (3,F)(8,C)(8,F)(9,C)	03/01/07	A4	B
A	ECN-0702102(Emily)	02/14/07	A4	B



單PCS包裝圖



菱形綠色環保貼紙

包裝說明:

1. 裝袋：單PCS用迷你紮帶紮好裝入規格為：180\*130MM的PE袋中；
2. 裝箱：每箱分4疊放置，每疊35PCS，共裝140PCS，紙箱上下各放1塊隔板，共兩塊隔板。
3. 外箱側面右上角須貼1PCS菱形綠色環保標籤，如圖所示。

17	紙箱規格為400*343*223MM, K=A 一般嘜頭 (RoHS)	1/140PCS
16	隔板:380*315MM (RoHS)	2/140PCS
15	菱形標籤:印"RoHS" 60*30MM,綠底白字 ROHS	1/140PCS
14	PE袋:180*130*0.05MM (RoHS)	1PCS
13	迷你紮帶:單邊平面 黑色 L=100MM ROHS	1PCS
ITEM	DESCRIPTION	Q'TY



UNLESS OTHERWISE SPECIFIED TOLERANCE		<b>MC-COMPONENTS</b>
0.	±1.0	
.0	±0.5	
.00	±0.3	
SCALE: AS SHOWN	UNIT: mm	
DRAWN PEARL	01/07/08	DRAWN NAME: MID6M/OPEN CABLE 2/2
CHECKED <i>Cherry</i>	01/07/08	
APPROVED <i>Joe</i>	01/07/08	PRODUCT NO. C618MXA03AEXXX
DATE 01/07/08	SIZE A4	REV. A FILE NAME: C618MXA03AE(95)

REV.	DESCRIPTION	DATE
A	ECN-0801047(Chichi)	01/07/08