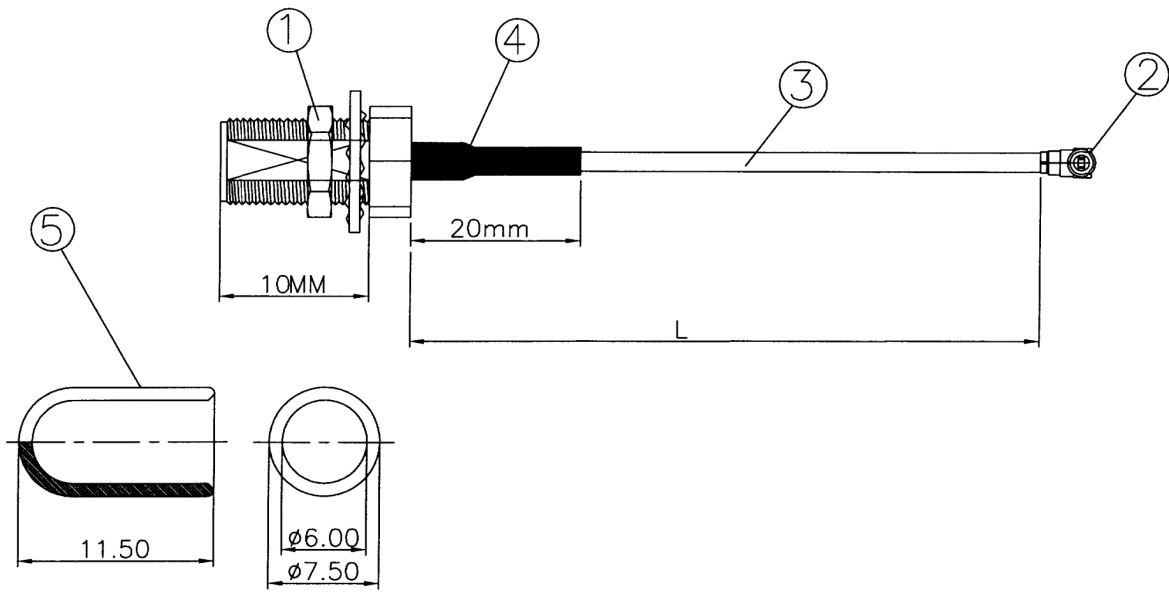


BILL OF MATERIAL			
ITEM	Q'TY	PART NO.	DESCRIPTION
1	1	SAC10223TGGI	SMA FEMALE BKD CRIMP
2	1	20278-111R-13	I-PEX 1.13
3	1	WY1.13-G	Weiyang od 1.13mm Gray
4	1	HT000009	HEAT SHRINK TUBING 2.5*20
5	1	OR00005	ORING 7.5*11.5 RED

PART NO. C13 CL961454 E XXX
 1 2 3

- 1.SERIES NO.
C13=SMA CABLE
- 2.GREEN OPTION:
E=RoHS
- 3.LENGTH NO
6C0=60±5mm
145=145±5mm



UNLESS OTHERWISE SPECIFIED TOLERANCE		MC-COMPONENTS
ANG.	±5°	
0.	±0.5	DRAWN NAME: SMA FEMALE BKD -Ø1.13 GRAY-I-PEX
.0	±0.3	
.00	±0.2	
SCALE: AS SHOWN	UNIT: mm	DRAWN NAME: SMA FEMALE BKD -Ø1.13 GRAY-I-PEX
DRAWN JOE	06/11/08	
CHECKED <i>pearl</i>	06/12/08	PRODUCT NO. C13CL961454EXXX
APPROVED <i>Joe</i>	06/12/08	
DATE 06/10/08	SIZE A4	REV. A
FILE NAME: C13CL961454E(R7)		

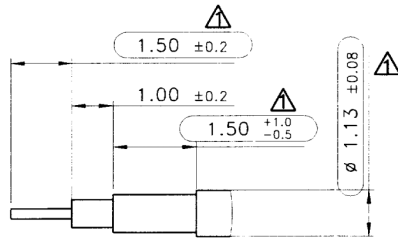
REV.	DESCRIPTION	DATE
A	ECN-0806065(Kuo)	06/10/08

SPECIFICATION
 MATERIAL
 Connector:
 Insulation: Thermal plastic, 94V-0
 Contacts: Copper alloy, Plating: Gold plated
 Cable:
 Conductor: AWG32(7/0.08) Silver Plated Copper
 Insulation: FEP
 Braid Shield: Tinned Copper Wire
 Jacket: FEP

Part no.

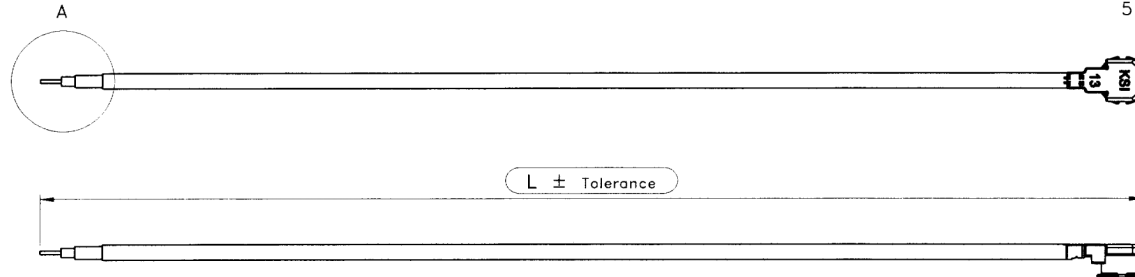
C13 KSI0013 X E XXX
 1 2 3 4

- 1.C13= RF CABLE
- 2.Cable Color
 4= BLACK;
 6= GREY
- 3.Environment Protection Material
 E=RoHS
- 4.Length:
 F=FT; M=M; XXX=XXXMM
 例: 03F=3FT; 3M5=3.5M; 50C=50CM;
 515=515MM



DETAIL A

Cable electric characters:
 1.Conductor resistance: 520ohm /km
 2.Impedance: 50ohm±3
 3.Dielectric Strength: A.C 0.5/1 KV/min
 4.Insulation resistance: 1000M -Km (250V D.C)
 5.V.S.W.R 1.35 Max at 1~6G

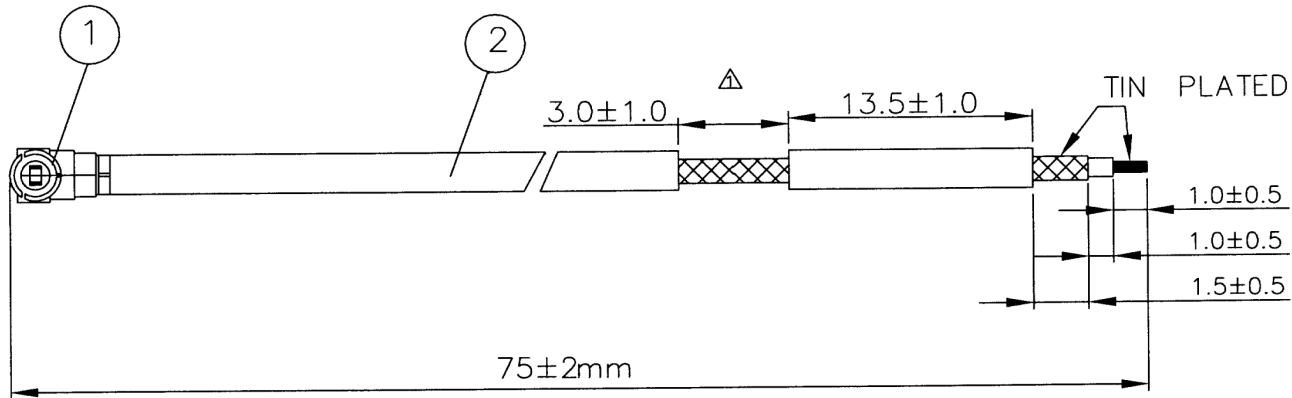


△	C13KSI00134E070	70±3MM
△	C13KSI00134E040	40±3MM
△	C13KSI00134E030	30±3MM
△	C13KSI00134E20C	200±5MM
△	C13KSI00134E035	35±2MM
	C13KSI00134E068	68±3MM
	Part No.	L ± Tolerance



UNLESS OTHERWISE SPECIFIED TOLERANCE		MC-COMPONENTS
ANG.	±5°	
0.	±0.5	
.0	±0.3	
.00	±0.2	
SCALE: AS SHOWN	UNIT: mm	
DRAWN RITA	05/15/09	DRAWN NAME:
CHECKED <i>Reyes</i>	05/18/09	AWG32 COAXIAL CABLE FOR KSI MHF CONNECTOR
APPROVED <i>Joe</i>	05/18/09	PRODUCT NO. C13KSI0013XXXX
		FILE NAME: C13KSI0013XXXX

REV.	DESCRIPTION	DATE	REV.	DESCRIPTION	DATE
E	ECN-0905106(April) △ (1.C)	05/15/09			
D	ECN-0903139(April) △ (1.C)	03/20/09			
C	ECN-0801071(April) △ (1.B)	05/23/08			
B	ECN-0801071(April) △ (1.B)(3.F)(4.F)	01/08/08			
A	ECN-0711220(April)	11/20/07			



△

BILL OF MATERIAL			
ITEM	Q'TY	PART NO.	DESCRIPTION
1	1	20278-111R-13	I-PEX 1.13
2	1	HSE1.13-G	WEIYANG OD 1.13MM GRAY
			△

PART NO. C13 IPEX E 7C5

SERIES NO. _____

C13=(RF) I-PEX CABLE

ENVIRONMENT PROTECTION MATERIAL: _____

E=RoHS

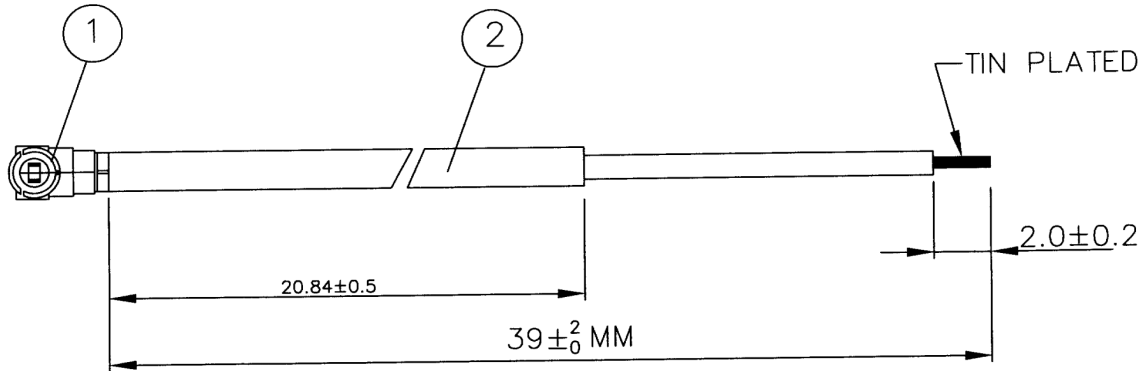
LENGTH NO. _____

7C5=75mm



UNLESS OTHERWISE SPECIFIED TOLERANCE		MC-COMPONENTS
ANG.	±5°	
0.	±1.0	
.0	±0.5	
.00	±0.25	
SCALE: AS SHOWN	UNIT: mm	
06/08/07	DRAWN PEARL	06/11/07
01/18/07	CHECKED <i>Joe</i>	06/11/07
01/03/07	APPROVED <i>Clark</i>	06/12/07
DATE	SIZE A4	REV. C
DRAWN NAME:		(RF) I-PEX CABLE
PRODUCT NO.		C13IPEXE7C5
FILE NAME:		C13IPEXE7C5(R7)

REV.	DESCRIPTION	DATE
C	ECN-0706069(Kuo) △ (3,C)	06/08/07
B	ECN-0701120(Catherine) △ (1,D)(6,F)	01/18/07
A	ECN-0701026(Catherine)	01/03/07



BILL OF MATERIAL			
ITEM	Q'TY	PART NO.	DESCRIPTION
1	1	20278-111R-13	I-PEX 1.13
2	1	WY-1.13-G	WEIYANG OD1.13mm GRAY

PART NO.

C13 IPEX01 E 3C9

SERIES NO. _____
 C13=(RF) I-PEX CABLE
 GREEN OPTION: _____
 E=RoHS
 LENGTH NO. _____
 3C9=39mm



UNLESS OTHERWISE SPECIFIED TOLERANCE		MC-COMPONENTS
0. _____ ±1.0 .0 _____ ±0.5 .00 _____ ±0.3	SCALE: AS SHOWN UNIT: mm	
DRAWN JOE 05/15/08	CHECKED <i>pearl</i> 05/16/08	DRAWN NAME: I-PEX-1.13mm ST CABLE
APPROVED <i>Joe</i> 05/16/08	DATE 05/15/08	PRODUCT NO. C13IPEX01E3C9
SIZE A4 REV. A		FILE NAME: C13IPEX01E3C9(R7)

REV.	DESCRIPTION	DATE
A	ECN-0805153(Kuo)	05/15/08



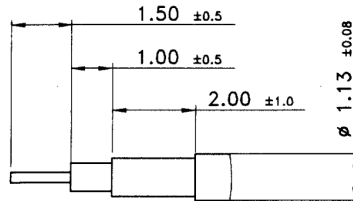
SPECIFICATION

MATERIAL
 Connector:
 Insulation: PBT, 94V-0
 Contacts: Brass, Plating: Gold plated
 Cable:
 Conductor: AWG32(7/0.08) Silver Plated Copper
 Insulation: FEP
 Braid Shield: Tinned Copper Wire
 Jacket: FEP

Part no.

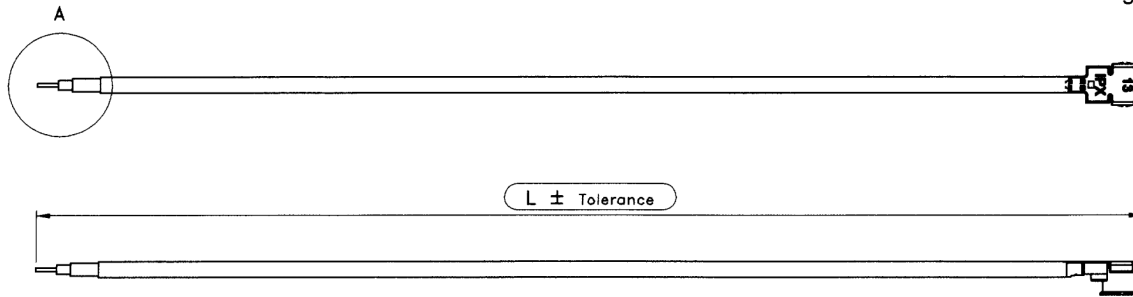
C13 278-320X E XXX
 1 2 3 4

- 1.C13= RF CABLE
- 2.Cable Color
 4= BLACK;
 6= GREY
- 3.Environment Protection Material
 E=Rohs
- 4.Length:
 F=FT; M=M; XXX=XXXMM
 例: 03F=3FT; 3M5=3.5M; 50C=50CM;
 515=515MM



細部放大圖 A

Cable electric characters:
 1.Conductor resistance: 597ohm /km
 2.Impedance: 50ohm±3
 3.Dielectric Strength: A.C 0.5/1 KV/min
 4.Insulation resistance: 1000M -Km (650V D.C)



Part No.	L ± Tolerance
C13278-3206E107	107±5MM

UNLESS OTHERWISE SPECIFIED TOLERANCE	
ANG.	±5°
0.	±0.5
.0	±0.3
.00	±0.2

MC-COMPONENTS

SCALE: AS SHOWN UNIT: mm

DRAWN CHERRY 07/26/07

DRAWN NAME:
 AWG32 COAXIAL CABLE FOR
 I-PEX MHF CONNECTOR

CHECKED 石鈺珊 08/03/07

APPROVED [Signature] 08/03/07

PRODUCT NO. C13278-320EXXX

DATE 07/25/07

FILE NAME: C13278-320EXXX

REV.	DESCRIPTION	DATE
A	ECN-0707222(April)	07/25/07