

ELECTRONIC TEST CONDITION:
 100% OPEN-SHORT & MISWIRE TEST.
 CONDUCTIVE RESISTANCE:5Ω/MAX.
 INSULATION RESISTANCE:100MΩ/MIN, AT DC300V

ITEM		DESCRIPTION	Q'TY
④	PVC	45P PVC COLOR:BLACK(V001)	0.004KG
③	CONN.	SERIAL ATA 15P FEMALE CONNECTOR:CRIMP TYPE INSULATOR:BLACK	1SET
		PH=1.27mm CONTACT GOLD FLASH	
②	CONN.	BIG 4PIN F 180° HOUSING PH=5.08mm INSULATOR WHITE,WITH	1SET
		TERMINAL TIN PLATED	
①	CABLE	UL1007 18AWG(YELLOW,BLACK,BLACK,RED).TINNED COPPER WIRE	4PCS

WIRE LIST:

P1		P2
13+14+15	YELLOW	1
10+11+12	BLACK	3
4+5+6	BLACK	2
7+8+9	RED	4



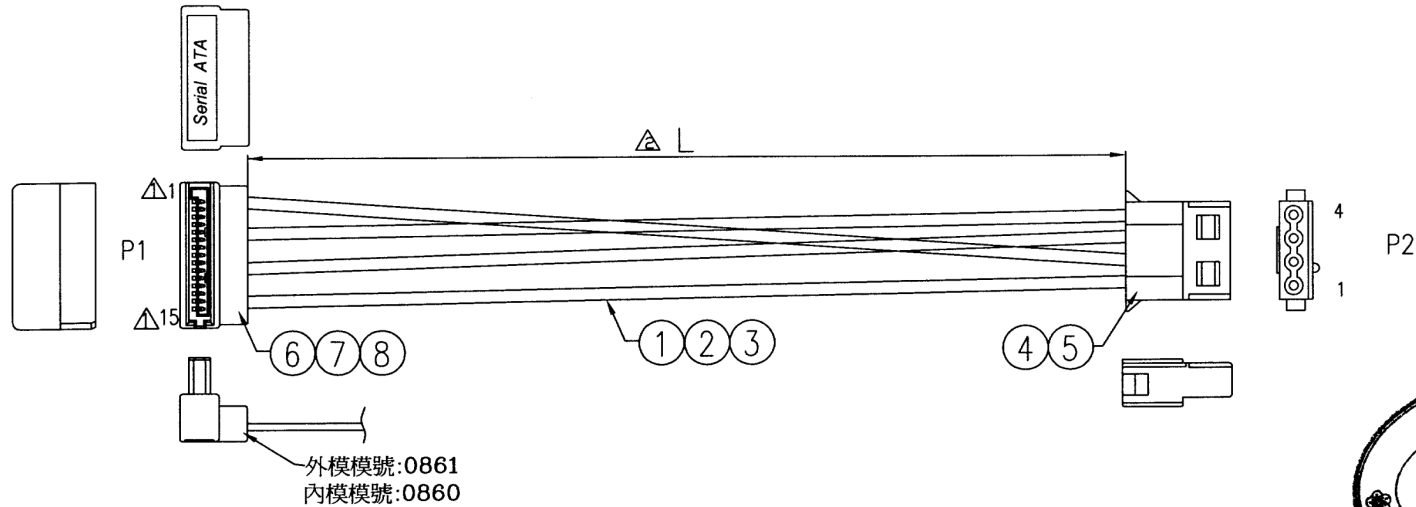
PART NO.

C10 EC13135R E XXX

LENGTH NO.
 10C=100±5mm
 16C=160±10mm
 29C=290±10mm
 ENVIRONMENT PROTECTION MATERIAL
 E=RoHS

UNLESS OTHERWISE SPECIFIED TOLERANCE		MC-COMPONENTS
0.0	±1.0	
.00	±0.5	
.00	±0.3	
SCALE: AS SHOWN	UNIT: mm	
DATE	DRAWN	DRAWN NAME:
05/07/08	JOE	SATA 15F/BIG 4P HSG CABLE 1/2
02/19/08	CHECKED <i>peavl</i>	05/09/08
01/15/08	APPROVED <i>Joe</i>	05/09/08
REV.	DESCRIPTION	PRODUCT NO. C10EC13135REXXX
		FILE NAME: C10EC13135RE(W7)

REV.	DESCRIPTION	DATE	SIZE	REV.
H	ECN-0805086(Queenie)CHANGE OUTLINE	05/07/08	A4	H
G	ECN-0802095(Jocelyn)	02/19/08		
F	ECN-0801175(Jocelyn)	01/15/08		



NOTE:
 1.100% OPEN&SHORT WITH MISS WIRE TEST
 2.TEST CODITION:
 1).CONDUCTANCE RESISANCE:2Ω
 2).SHORT OPEN DETERMINANT:20KΩ
 3).INSULATION RESISTANCE:20MΩ AT DC 200V.

ITEM	DESCRIPTION	Q'TY
8	PVC:BLACK 35P FOR OVERMOLD(RoHS)	4g
7	PE: PREMOLD HDPE(RoHS)	2.5g
6	Serial ATA 15P SOLDER TYPE INSULATION BLACK CONTACT PHOSPHOR BRASS G/F(RoHS)	1PCS
5	PH5.08 TINNED PLATED BRASS TERMINAL (RoHS)	4PCS
4	HSG 1*4P PH:5.80mm WHITE SOCKET(RoHS)	1PCS
3	UL 1007 18AWG TS OD:2.1mm YELLOW (RoHS)	1PCS
2	UL 1007 18AWG TS OD:2.1mm RED (RoHS)	1PCS
1	UL 1007 18AWG TS OD:2.1mm BLACK (RoHS)	2PCS

WIRE LIST

	P1	COLOR	P2
Δ	13+14+15	YELLOW	1
	4+5+6	BLACK	2
	10+11+12	BLACK	3
Δ	7+8+9	RED	4



PART NO.
 C10 EC013170R E XXX

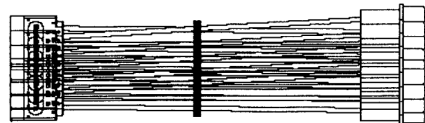
LENGTH NO.
 Δ 105=105±0.5mm
 Δ 14C=140±0.5mm
 Δ 26C=260±0.5mm
 GREEN OPTION:
 E=RoHS

UNLESS OTHERWISE SPECIFIED TOLERANCE	
0.	±1.0
.0	±0.5
.00	±0.3

MC-COMPONENTS

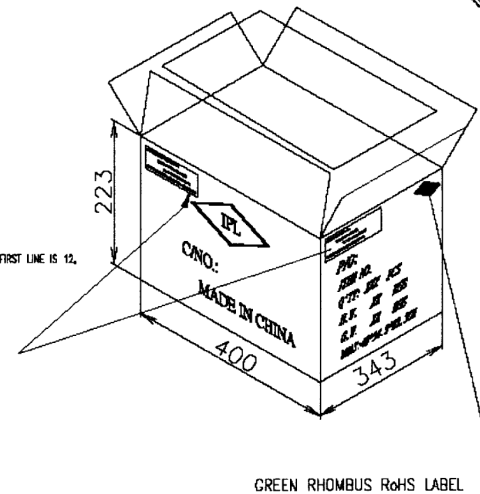
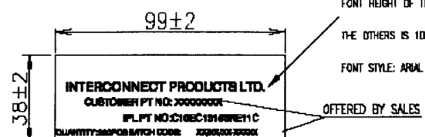
REV.	DESCRIPTION	DATE	SIZE	REV.	FILE NAME:
F	ECN-0809202(Jocelyn) Δ (2,B)	09/26/08	A4	F	C10EC013170RE(95)
E	ECN-0805204(Jocelyn)SEE DWG 2/2	05/22/08			
D	ECN-0803049(Jocelyn) Δ (2,B)	03/07/08			

SCALE:	AS SHOWN	UNIT:	mm
DRAWN	JOE	DATE	09/30/08
CHECKED	pearl	DATE	09/30/08
APPROVED	Joe	DATE	09/30/08
DRAWN NAME:		SATA-15F/HOUSING-04F CABLE 1/2	
PRODUCT NO.:		C10EC013170REXXX	



5PCS/BUNDLE

THE PACKING REMARK AS FOLLOWS :



- PACKING:
- 1.50PCS/PE BAG, 600PCS/CARTON.
 - 2.SET UP 2PCS CLAPBOARD FOR TOP AND BOTTOM.
 - 3.BLANK LABEL(99*38mm) BE STICKED ON THE UP-LEFT OF THE FOUR SIDES OF THE CARTON

ITEM	DESCRIPTION	Q'TY
13	CARTON :400*343*223MM, MATERIAL K=A .PRINT'IPL' Mark(RoHS).	1/600PCS
12	CLAPBOARD: 380*315MM MATERIAL B3C(RoHS)	2/600PCS
11	BLANK LABEL: 99*38MM(RoHS)	4/600PCS
10	GREEN RHOMBUS RoHS LABEL(RoHS)	1/600PCS
9	PE BAG:300*200*0.05MM BLANK(RoHS)	1/50PCS
8	RUBBER RING TRANSPARENT (RoHS)	1PCS



UNLESS OTHERWISE SPECIFIED TOLERANCE	
0.0	±1.0
.0	±0.5
.00	±0.3

SCALE: AS SHOWN UNIT: mm

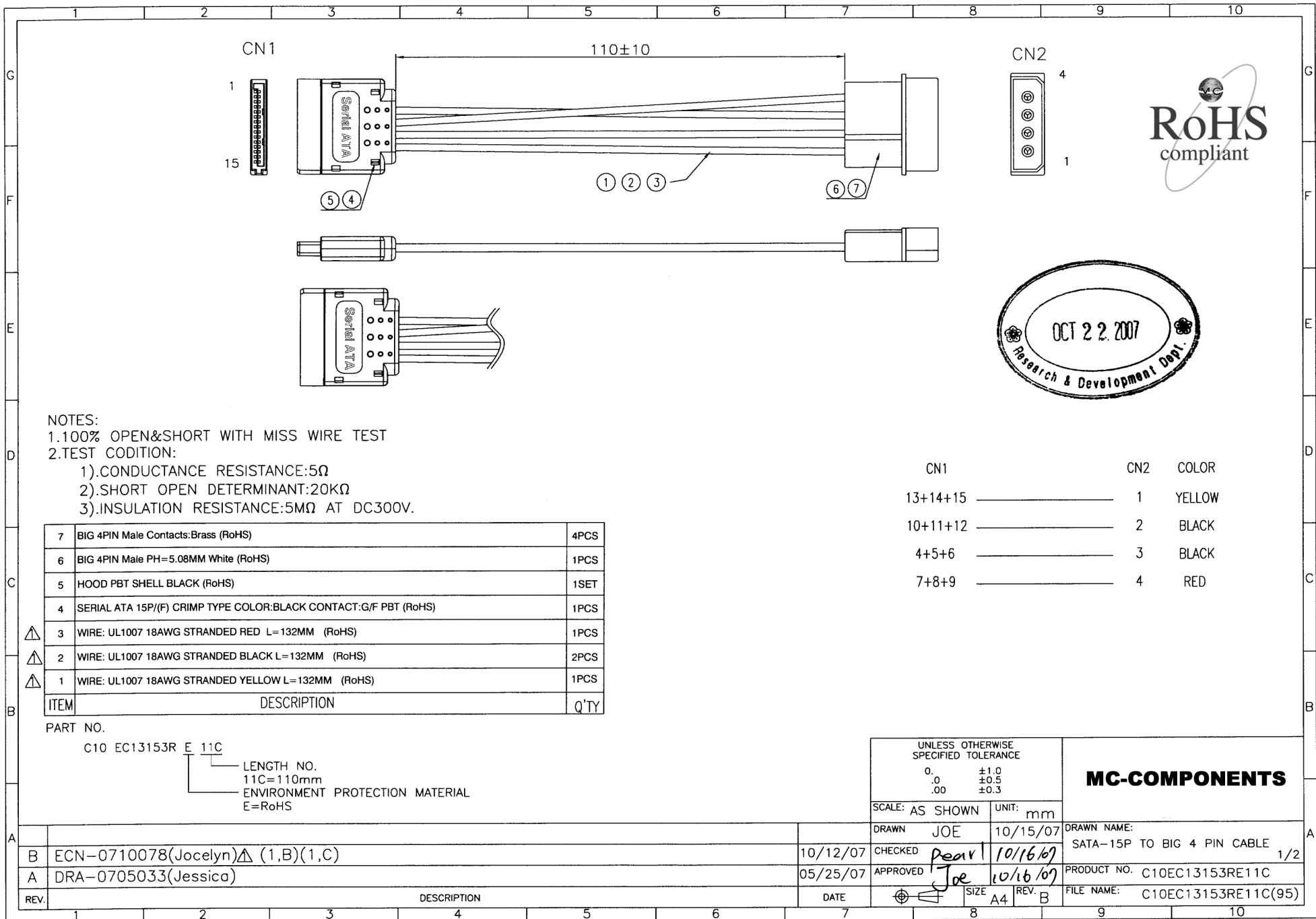
DRAWN: JOE 10/15/07

CHECKED: pearl 10/16/07

APPROVED: Joe 10/16/07

MC-COMPONENTS

REV.	DESCRIPTION	DATE	SIZE	REV.	FILE NAME:
B	ECN-0710078(Jocelyn)	10/12/07	A4	B	SATA-15P TO BIG 4 PIN CABLE 2/2
A	DRA-0705033(Jessica)	05/25/07	A4	B	PRODUCT NO. C10EC13153RE11C
					FILE NAME: C10EC13153RE11C(95)



RoHS
compliant



- NOTES:
 1.100% OPEN&SHORT WITH MISS WIRE TEST
 2.TEST CODITION:
 1).CONDUCTANCE RESISTANCE:5Ω
 2).SHORT OPEN DETERMINANT:20KΩ
 3).INSULATION RESISTANCE:5MΩ AT DC300V.

CN1	CN2	COLOR
13+14+15	1	YELLOW
10+11+12	2	BLACK
4+5+6	3	BLACK
7+8+9	4	RED

ITEM	DESCRIPTION	Q'TY
7	BIG 4PIN Male Contacts:Brass (RoHS)	4PCS
6	BIG 4PIN Male PH=5.08MM White (RoHS)	1PCS
5	HOOD PBT SHELL BLACK (RoHS)	1SET
4	SERIAL ATA 15P/(F) CRIMP TYPE COLOR:BLACK CONTACT:G/F PBT (RoHS)	1PCS
3	WIRE: UL1007 18AWG STRANDED RED L=132MM (RoHS)	1PCS
2	WIRE: UL1007 18AWG STRANDED BLACK L=132MM (RoHS)	2PCS
1	WIRE: UL1007 18AWG STRANDED YELLOW L=132MM (RoHS)	1PCS

PART NO.
 C10 EC13153R E 11C
 LENGTH NO.
 11C=110mm
 ENVIRONMENT PROTECTION MATERIAL
 E=RoHS

UNLESS OTHERWISE SPECIFIED TOLERANCE	
0.	±1.0
.0	±0.5
.00	±0.3

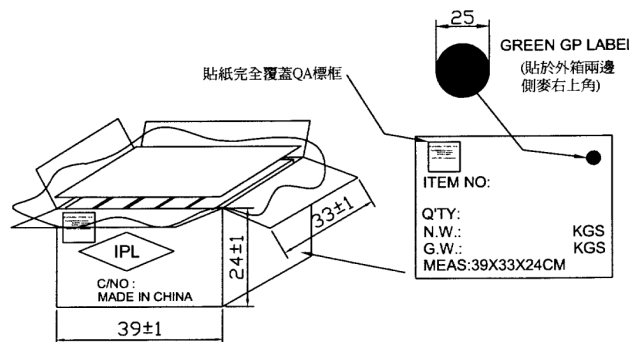
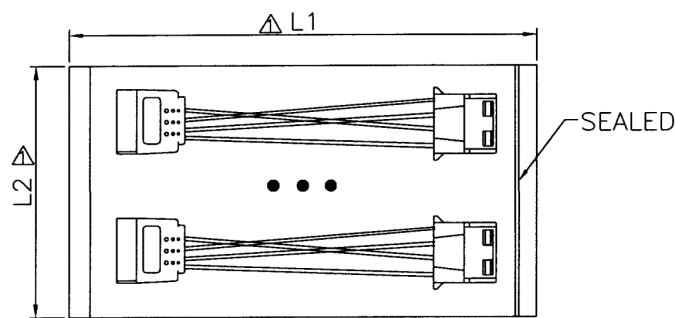
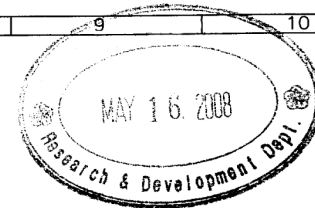
MC-COMPONENTS

SCALE: AS SHOWN UNIT: mm

DRAWN: JOE 10/15/07
 CHECKED: Pearl 10/16/07
 APPROVED: Joe 10/16/07

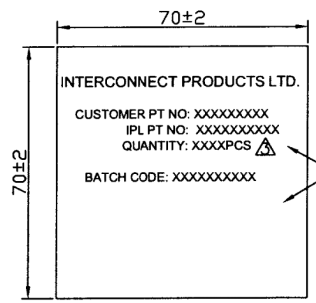
DRAWN NAME: SATA-15P TO BIG 4 PIN CABLE 1/2
 PRODUCT NO: C10EC13153RE11C
 FILE NAME: C10EC13153RE11C(95)

REV.	DESCRIPTION	DATE
B	ECN-0710078(Jocelyn) (1,B)(1,C)	10/12/07
A	DRA-0705033(Jessica)	05/25/07



PARTIAL NO	BGA	Q"ty/Box
△ C10EC13135RE10C	250mm(L1)*150mm(L2)	1200 PCS △
△ C10EC13135RE16C	350mm(L1)*150mm(L2) △	800 PCS △
△ C10EC13135RE29C	400mm(L1)*150mm(L2) △	500 PCS △

PARTIAL NO	SPECIFICATION
29-011-39332400	CARTON:390*330*240(A=A)
29-012-39332400	CARTON:390*330*240(K=A)



OFFERD BY SALES

- NOTE:
- 1.TEXT STYLE:ARIAL
 - 2.*INTER.....LTD.*:TEXT HIGH:3.0mm
 - 3.THE OTHERS TEXT HIGH:2.5mm
 - 4.*YY* IS *YEAR*. *MM*IS *MONTH. *DD*IS *DAY*
 - 5.WHITE BOTTOM OF BLACK TEXT.
 - 6.貼於外箱正麥與側麥(需四面都貼)左上角.

20PCS/PE BAG,EACH 1200PCS/OUTER CARTON



UNLESS OTHERWISE SPECIFIED TOLERANCE		SCALE: AS SHOWN	UNIT: mm	MC-COMPONENTS	
0.	±1.0				
.0	±0.5				
.00	±0.3				
DATE	05/07/08	DRAWN	JOE	05/09/08	DRAWN NAME:
	02/19/08	CHECKED	pearl	05/09/08	SATA 15F/BIG 4P HSG CABLE 2/2
	01/15/08	APPROVED	Joe	05/09/08	PRODUCT NO. C10EC13135REXXX
REV.				REV. H	FILE NAME: C10EC13135RE(W7)

REV.	DESCRIPTION
H	ECN-0805086(Queenie)△ SEE DWG 1/2
G	ECN-0802095(Jocelyn) △(3,C)(5,D)(6,D)
F	ECN-0801175(Jocelyn) △(2,D)