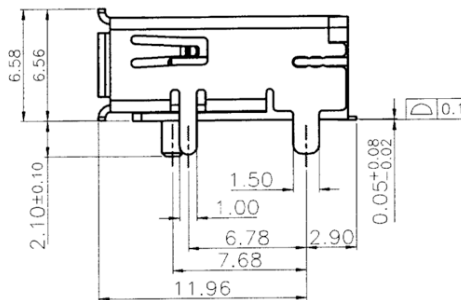
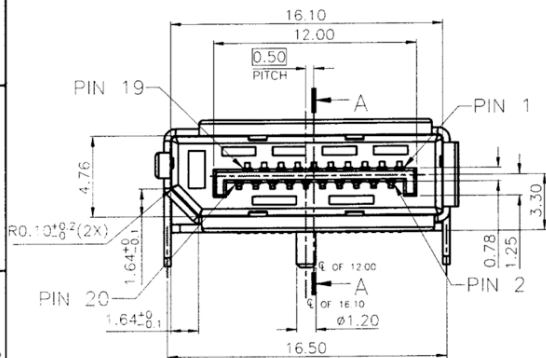


RECOMMENDER PCB LAYOUT(THICKNESS=1.6±0.15)



**SPECIFICATION**  
**MATERIAL**  
 Insulator: Thermal Plastic, Rated UL94V-0  
 Contacts: Copper Alloy  
 Shell: Copper Alloy  
**CONTACT PLATING**  
 Underplate: 50u"~100u" Nickel  
 Contact area: 15u"~30u" Selective Gold  
 Solder tails area: 100u"~200u" Tin(Lead Free)  
**ELECTRICAL**  
 Operation voltage: 40V  
 Current rating: 0.5A min.  
 Contact resistance: 30mohms  
 Insulation resistance: 100mohms  
 Dielectric withstanding voltage: 500V AC/Minute  
 Temperature range: -20°C to +85°C  
 Mating cycles: 10,000 insertions

**PART NO.**  
 909 D F 20 F X I 01 N 0 C X  
 1 2 3 4 5 6 7 8 9 101112

- |  |   |
|--|---|
| 1.SERIES NO.<br>909=DISPLAY PORT                     | 7.SOLDER AREA PLATING<br>T=TIN                |
| 2.TYPE<br>D=SMT                                      | 8.TYPE<br>01=01 TYPE                          |
| 3.GREEN OPTION<br>F=RoSH(Matte)                      | 9.SHELL PLATING<br>N=NICKEL                   |
| 4.CONTACT NUMBER<br>20                               | 10.FILL IT WITH "0"                           |
| 5.CONTACT TYPE<br>F=FEMALE                           | 11.PACKING<br>C=TAPE REEL                     |
| 6.CONTACT AREA PLATING<br>C=15u" GOLD<br>D=30u" GOLD | 12.INSULATOR COLOR<br>3=BLACK<br>C=BLACK+LOGO |



W/O LOGO



W/LOGO

UNLESS OTHERWISE SPECIFIED TOLERANCE	
ANG.	±2°
0.	±0.50
.0	±0.30
.00	±0.20

**MC-COMPONENTS**

SCALE: AS SHOWN UNIT: mm

DRAWN: JOE 01/20/09

DRAWN NAME:  
Display Port Receptacle

CHECKED: Pearl 01/21/09

APPROVED: Joe 01/21/09

PRODUCT NO. 909DF20FXT01NOCX

SIZE A4 REV. B

FILE NAME: C-909DF20FXT01NOCX(GA)

B ECN-0901137(Catherine) (3,G)(7,B)(7,C)(7,G)(9,B)(9,D)

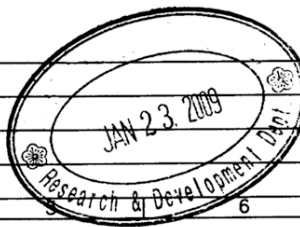
A ECN-0808074(Li)

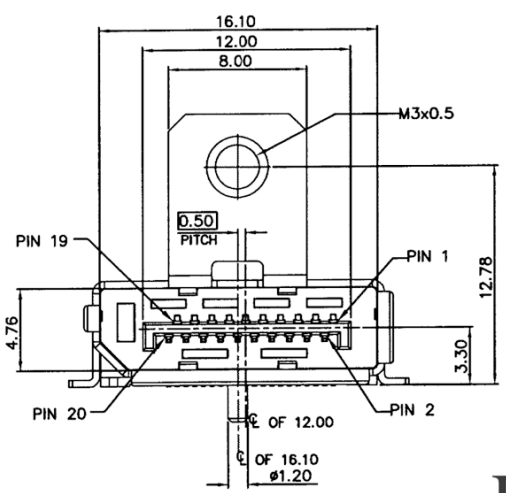
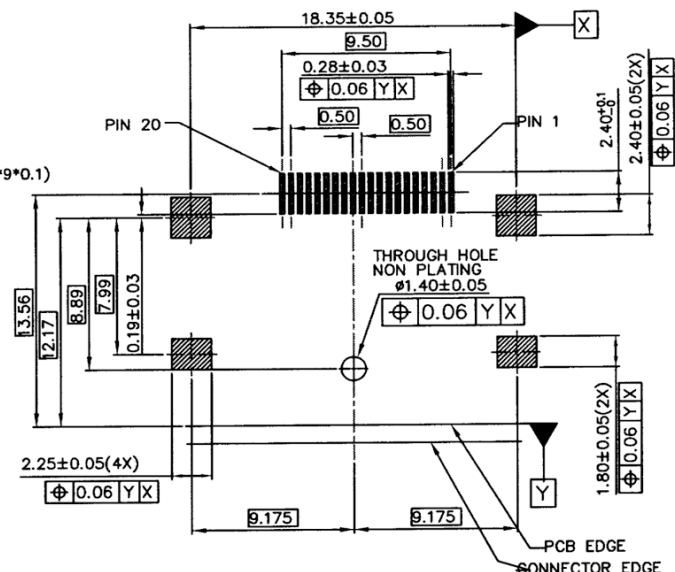
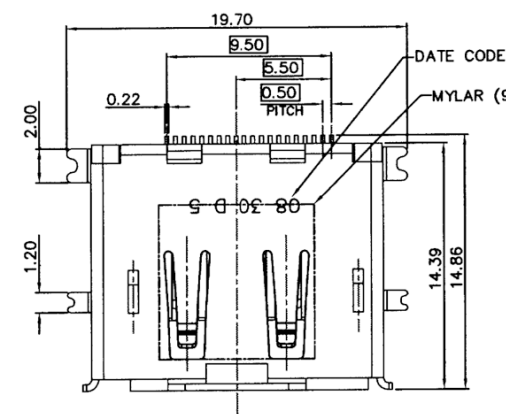
DESCRIPTION

01/19/09

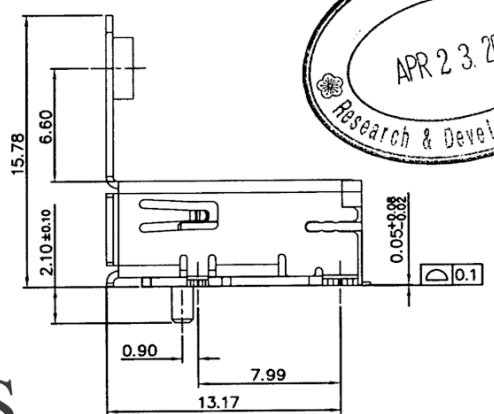
08/09/08

DATE





RECOMMENDER PCB LAYOUT (THICKNESS=1.6±0.15)



**SPECIFICATION**

**MATERIAL**  
 Insulator: Thermal Plastic, Rated UL94V-0  
 Contacts: Copper Alloy  
 Shell: Copper Alloy

**CONTACT PLATING**  
 Underplate: 50u"~100u" Nickel  
 Contact area: 15u"~30u"(0.38~0.76um) Gold  
 Solder tails area: 100u"~200u" Tin(Lead Free)

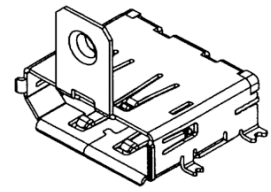
**ELECTRICAL**  
 Operation voltage: 40V  
 Current rating: 0.5A min.  
 Contact resistance: 30mohms  
 Insulation resistance: 100mohms  
 Dielectric withstanding voltage: 500V AC/Minute  
 Temperature range: -20°C to +85°C  
 Mating cycles: 10,000 insertions

PART NO. 909 D E 20 F X I 02 N X X X  
 1 2 3 4 5 6 7 8 9 10 11 12

- |   |   |
|---|---|
| 1. SERIES NO.<br>909=DISPLAY PORT                     | 7. SOLDER AREA PLATING<br>T=TIN                     |
| 2. TYPE<br>D=SMT                                      | 8. TYPE<br>02=02 TYPE                               |
| 3. GREEN OPTION<br>F=RoHS(MATTE)                      | 9. SHELL PLATING<br>N=NICKEL                        |
| 4. CONTACT NUMBER<br>20                               | 10. PROCESS OPTION<br>0=W/O MYLAR                   |
| 5. CONTACT TYPE<br>F=FEMALE                           | 11. PACKING<br>A=TRAY                               |
| 6. CONTACT AREA PLATING<br>C=15u" GOLD<br>D=30u" GOLD | 12. INSULATOR COLOR<br>3=BLACK<br>C=BLACK+DATE CODE |

DATE CODE: 08 30 D 5  
 YEAR EX.08=2008  
 WEEK CODE

DAY CODE  
 Sunday(星期日)= 1  
 Monday(星期一)= 2  
 Tuesday(星期二)= 3  
 Wednesday(星期三)= 4  
 Thursday(星期四)= 5  
 Friday(星期五)= 6  
 Saturday(星期六)= 7



UNLESS OTHERWISE SPECIFIED TOLERANCE		<b>MC-COMPONENTS</b>
ANG.	±0.2	
0.	±0.50	
.0	±0.30	
.00	±0.20	
SCALE: AS SHOWN	UNIT: mm	
DRAWN: PEARL	04/07/09	DRAWN NAME: Display Port Receptacle 02 Type
CHECKED: Brian	04/08/09	PRODUCT NO. 909DF20FXT02NXXX
APPROVED: Joe	04/16/09	FILE NAME: C-909DF20FXT02NOC3
SIZE A4	REV. A	

A	ECN-0904037(Brian)	DESCRIPTION	DATE	04/07/09
REV.				