

△ SPECIFICATION

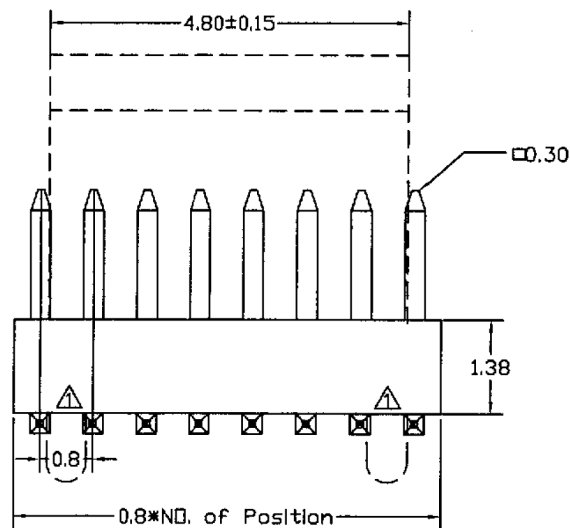
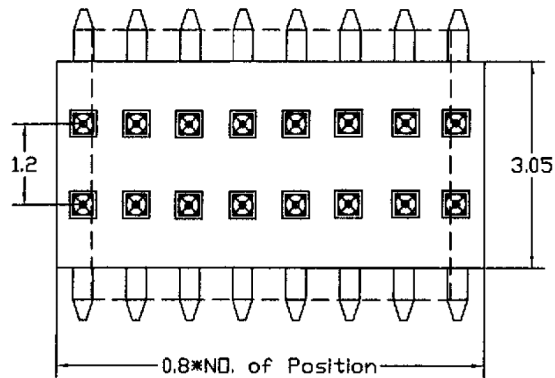
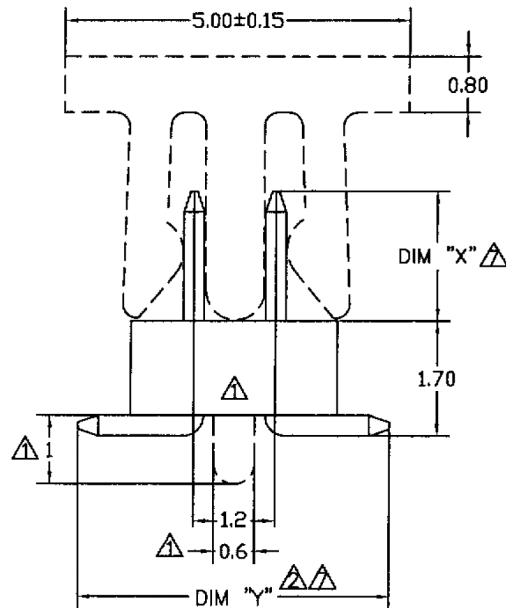
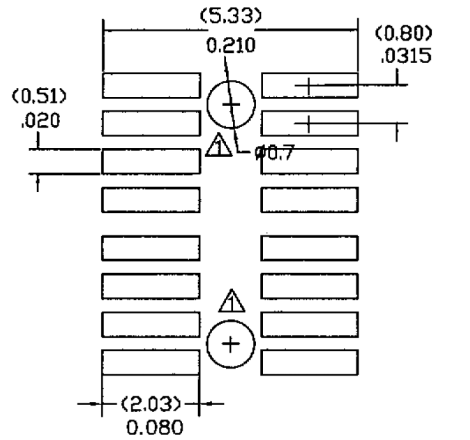
Current Rating: 0.5 Amps
 Insulation Resistance: 100 Megohms min
 Contact Resistance: 15 m ohms Max
 Dielectric Withstanding: AC 500 V
 Operating Temperature: -40 ° C to +105° C
 Max Processing Temp: 230 ° C for 60 seconds
 Contact Material: Phosphor Bronze
 Insulator Material: High Temperature Thermoplastic. UL 94V-0

PART NO.

B11 D X XXX G B X A A 3
 1 2 3 4 5 6 7 8 9 10

- 1.SERIES NO.
B11=0.8mm PIN HEADER
- 2.TYPE
D=S.M.T.
- △ 3.ENVIRONMENT PROTECTION
MATERIAL:
--General
E=RoHS
- 4.CONTACT NUMBER
006~100
- △ 5.CONTACT PLATING
G=Gold Flash
- 6.ROW TYPE
B=Dual Row
- 7.PEG OPTION
△ 0=W/O Pad+W/O Peg+Tube
△ 1=W/Pad+W/O Peg+Tube
△ 2=W/O Pad+W/Peg+Tube
3=W/Pad+W/Peg+Tube
A=W/O Pad+W/O Peg+T/R
B=W/Pad+W/O Peg+T/R
C=W/O Pad+W/Peg+T/R
D=W/Pad+W/Peg+T/R
- 8.PIN LENGTH
Dim "X" x Dim "Y"
△ △ A=1.9x4.60mm
- 9.CONTACT INSERTING OPTION
A=Fully Loaded
- 10.INSULATOR COLOR
3=Black

RECOMMENDED P.C.B LAYOUT
 △ TOLERANCES: ±0.05mm



UNLESS OTHERWISE SPECIFIED TOLERANCE	
ANG.	±5°
0.	±0.5
.0	±0.3
.00	±0.2

SCALE: AS SHOWN UNIT: mm

MC-COMPONENTS		
DRAWN	JOE	04/20/06
CHECKED	<i>Deay</i>	<i>04/24/06</i>
APPROVED	<i>Mark</i>	<i>04/25/06</i>
DRAWN NAME:		PIN HEADER SMT PITCH: 0.8mm
PRODUCT NO.		811DXXXXGBXAA3
FILE NAME:		811DXXXXGBXAA3(W)

A	F	ECN-0411049(Vicky) △ (7,G)	11/04/04	I	ECN-0604120(Christy) △ (8,D)	04/20/06
	E	ECN-0406073(Joyce) △	06/24/04	H	ECN-0603074(Sylvia) △ (9,D)(6,C)(6,B)	03/06/06
	D	ECN-0312108(Fanny) △	12/30/03	G	ECN-0510216(Vicky) △ (4,G)(7,E)	10/28/05
REV.		DESCRIPTION	DATE	REV.	DESCRIPTION	DATE

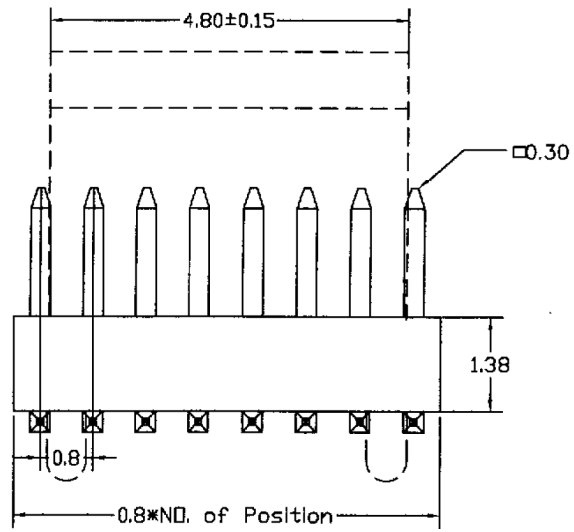
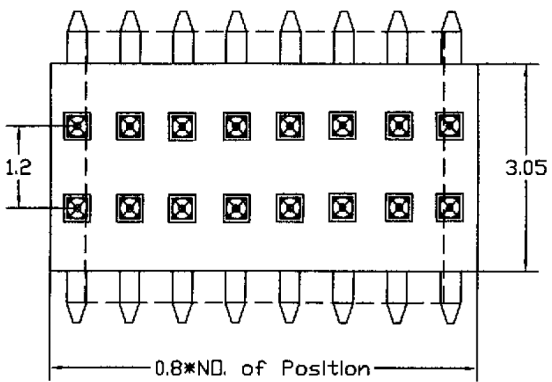
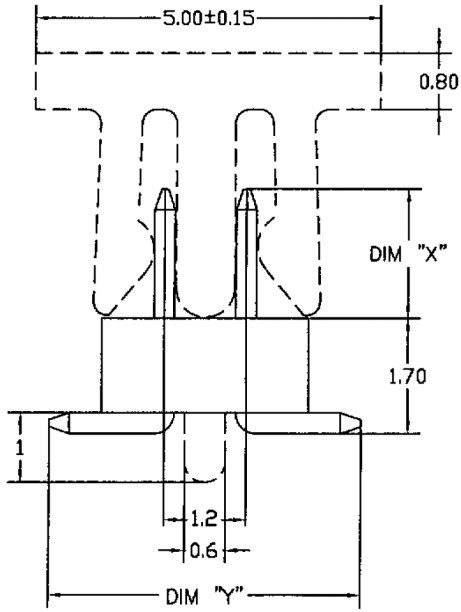
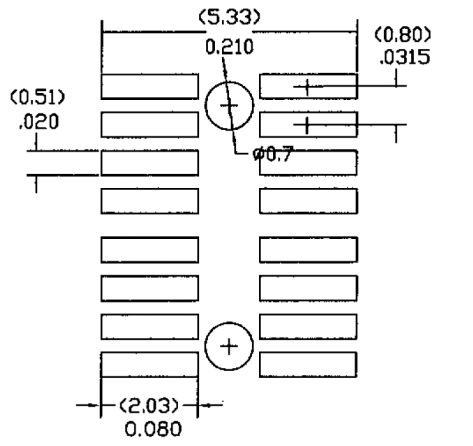
SPECIFICATION

Current Rating: 0.5 Amps
 Insulation Resistance: 100 Megohms min
 Contact Resistance: 15 m ohms Max
 Dielectric Withstanding: AC 500 V
 Operating Temperature: -40 ° C to +105 ° C
 Max Processing Temp: 230 ° C for 60 seconds
 Contact Material: Phosphor Bronze
 Insulator Material: High Temperature Thermoplastic. UL 94V-0

PART NO. **811 D E XXX G B X B A 3**
 1 2 3 4 5 6 7 8 9 10

- 1.SERIES NO.
811=0.8mm PIN HEADER
- 2.TYPE
D=S.M.T.
- 3.ENVIRONMENT PROTECTION MATERIAL:
E=RoHS
- 4.CONTACT NUMBER
006~100
- 5.CONTACT PLATING
G=Gold Flash
- 6.ROW TYPE
B=Dual Row
- 7.PEG OPTION
0=W/O Pad+W/O Peg+Tube
1=W/Pad+W/O Peg+Tube
2=W/O Pad+W/Peg+Tube
3=W/Pad+W/Peg+Tube
A=W/O Pad+W/O Peg+T/R
B=W/Pad+W/O Peg+T/R
C=W/O Pad+W/Peg+T/R
D=W/Pad+W/Peg+T/R
- 8.PIN LENGTH
Dim "X" x Dim "Y"
B=4.5x4.60mm
- 9.CONTACT INSERTING OPTION
A=Fully Loada
- 10.INSULATOR COLOR
3=Black

RECOMMENDED P.C.B LAYOUT
 TOLERANCES: ±0.05mm



UNLESS OTHERWISE SPECIFIED TOLERANCE	
ANG.	±5°
0.	±0.5
.0	±0.3
.00	±0.2

MC-COMPONENTS

SCALE: AS SHOWN	UNIT: mm	DRAWN NAME: PIN HEADER SMT PITCH: 0.8mm
DRAWN: JOE	04/20/06	
CHECKED: <i>Devy</i>	04/24/06	PRODUCT NO. 811DXXXXGBXBA3
APPROVED: <i>Mark</i>	04/20/06	
DATE: 04/20/06	SIZE: A4	FILE NAME: 811DXXXXGBXBA3(9)

REV. A	ECN-0604120(Christy)	DESCRIPTION	DATE
1			
2			
3			
4			
5			
6			
7			