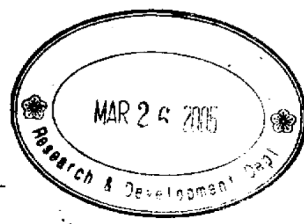


RECOMMENDED P.C.B. LAYOUT (TOP VIEW)
TOLERANCES: ±0.10mm

SPECIFICATION
MATERIAL
 Insulator: PBT+30% Glass Fiber(UL94V-0)
 Contacts: Phosphor Bronze
 Shell: SPCC
 Rivet,Boardlock: Brass
CONTACT PLATING
 Underplate: 50µ" Nickel
 Contact Area: 1µ"~30µ" Selective Gold
 Solder Tails Area: 100µ" Tin/Lead or 100µ" Tin/Lead Free
ELECTRICAL
 Current Rating: 1 Amps max.
 Contact Resistance: 25 milliohm max.
 Insulation Resistance: 3000 Megohm min @ 500 VDC
 Dielectric Withstanding Voltage: 1000 VAC / minute
 Operating Temperature: -55°C TO +105°C
 Part no.

502 A X XX M X N A O O X
 1 2 3 4 5 6 7 8 9 10 11

- 1.SERIES NO.
- 2.TYPE
A=Standard
- 3.ENVIRONMENT PROTECTION MATERIAL:
--=General
E=RoHS
- 4.CONTACT NUMBER
14,24,36,50
- 5.CONTACT TYPE
M=Male
- 6.CONTACT AREA PLATING
S=Selective Gold
R=3µ" Gold (selective)
A=5µ" Gold (selective)
B=10µ" Gold (selective)
C=15µ" Gold (selective)
Q=20µ" Gold (selective)
D=30µ" Gold (selective)
- 7.SHELL PLATING
N=Nickel
- 8.TYPE OPTION
A=Panel Type W/O Latch
- 9.CONTACT ROW PITCH
0=4.0mm
- 10.INSULATOR OPTION
0=Standard
- 11.INSULATOR COLOR
2=Blue
3=Black



POSITION	A	B	C	D
14M	25.50	36.00	43.90	22.70
24M	36.30	46.80	54.70	33.50
36M	49.30	59.70	67.70	46.60
50M	64.40	74.90	82.80	61.70

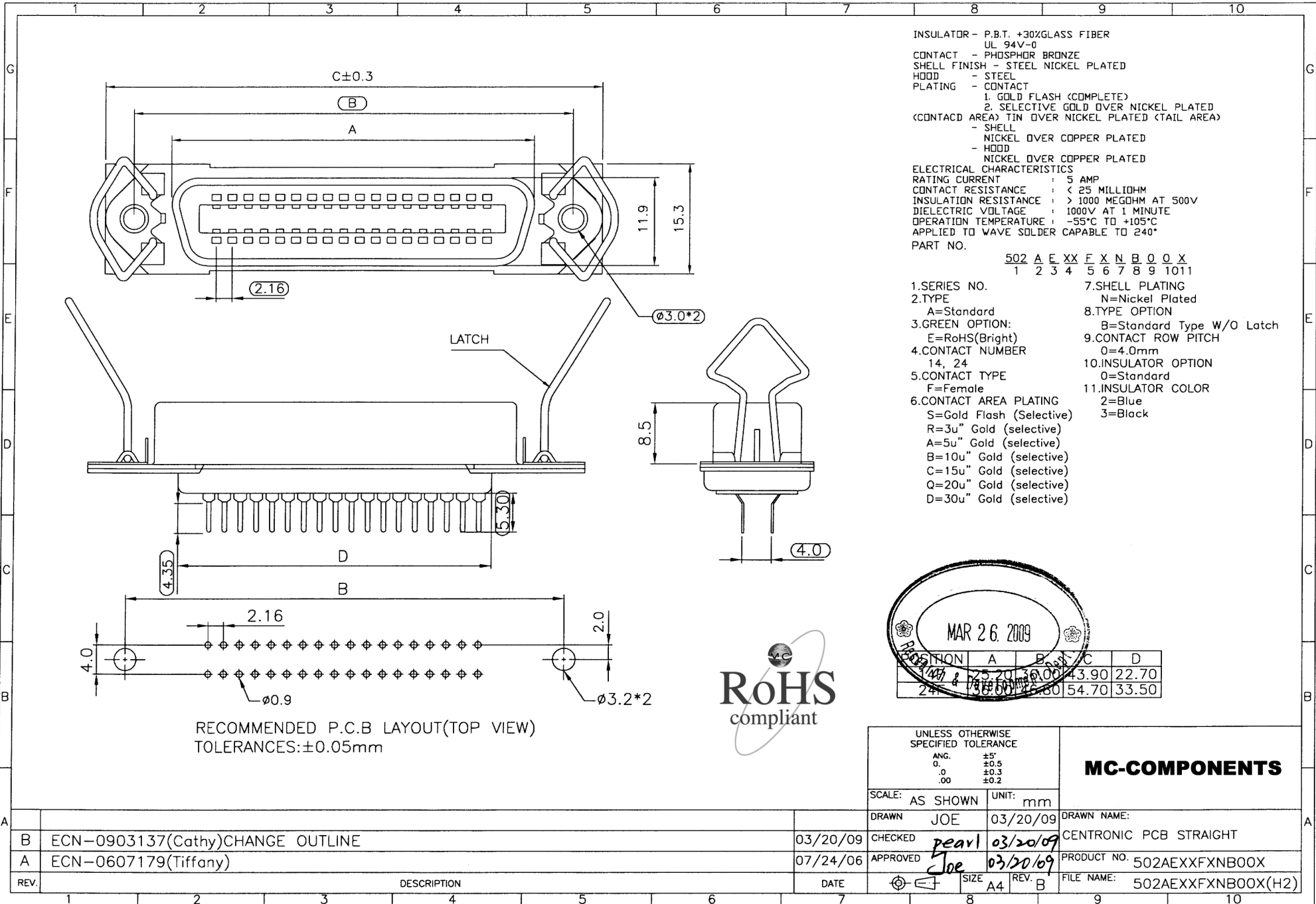
UNLESS OTHERWISE SPECIFIED TOLERANCE	
.0	±0.20
.00	±0.15
.000	±0.05

SCALE: AS SHOWN UNIT: mm

MC-COMPONENTS

REV.	DESCRIPTION	DATE	SIZE	REV.	FILE NAME:
C	ECN-0503135(Pearl) (6,D)(7,E)(7,F)(7,G)	03/22/05	A4	C	502AXXXMXNA00X
B	ECN-0405004(Pearl)	05/03/04			502AEXXXMXNA00X(H2)
A	DRA-0312013(Joyce)	11/25/03			

DRAWN	PEARL	03/23/05	DRAWN NAME:	
CHECKED	Joe	02/24/05	CENTRONIC PCB STRAIGHT	
APPROVED	Joyce	03/14/05	PRODUCT NO.	502AXXXMXNA00X
			FILE NAME:	502AEXXXMXNA00X(H2)



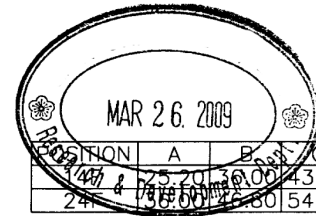
INSULATOR - P.B.T. +30%GLASS FIBER
 UL 94V-0
 CONTACT - PHOSPHOR BRONZE
 SHELL FINISH - STEEL NICKEL PLATED
 HOOD - STEEL
 PLATING - CONTACT
 1. GOLD FLASH (COMPLETE)
 2. SELECTIVE GOLD OVER NICKEL PLATED
 (CONTACT AREA) TIN OVER NICKEL PLATED (TAIL AREA)
 - SHELL
 NICKEL OVER COPPER PLATED
 - HOOD
 NICKEL OVER COPPER PLATED

ELECTRICAL CHARACTERISTICS
 RATING CURRENT : 5 AMP
 CONTACT RESISTANCE : < 25 MILLIOHM
 INSULATION RESISTANCE : > 1000 MEGOHM AT 500V
 DIELECTRIC VOLTAGE : 1000V AT 1 MINUTE
 OPERATION TEMPERATURE : -55°C TO +105°C
 APPLIED TO WAVE SOLDER CAPABLE TO 240°

PART NO.

502 A E XX F X N B O O X
 1 2 3 4 5 6 7 8 9 10 11

- 1.SERIES NO. 7.SHELL PLATING
 2.TYPE N=Nickel Plated
 A=Standard 8.TYPE OPTION
 3.GREEN OPTION: B=Standard Type W/O Latch
 E=RoHS(Bright) 9.CONTACT ROW PITCH
 4.CONTACT NUMBER 0=4.0mm
 14, 24 10.INSULATOR OPTION
 5.CONTACT TYPE 0=Standard
 F=Female 11.INSULATOR COLOR
 6.CONTACT AREA PLATING 2=Blue
 S=Gold Flash (Selective) 3=Black
 R=3u" Gold (selective)
 A=5u" Gold (selective)
 B=10u" Gold (selective)
 C=15u" Gold (selective)
 Q=20u" Gold (selective)
 D=30u" Gold (selective)



UNLESS OTHERWISE SPECIFIED TOLERANCE	
ANG.	±5°
0.	±0.5
.0	±0.3
.00	±0.2

MC-COMPONENTS

SCALE: AS SHOWN UNIT: mm

DRAWN: JOE 03/20/09

DRAWN NAME: CENTRONIC PCB STRAIGHT

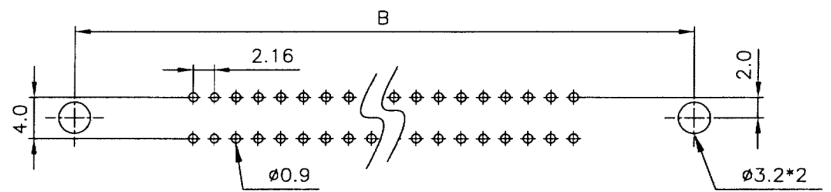
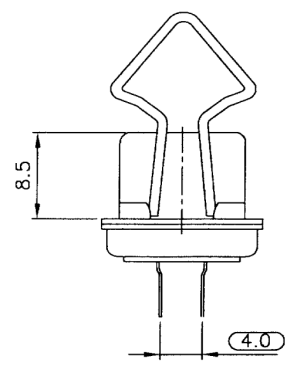
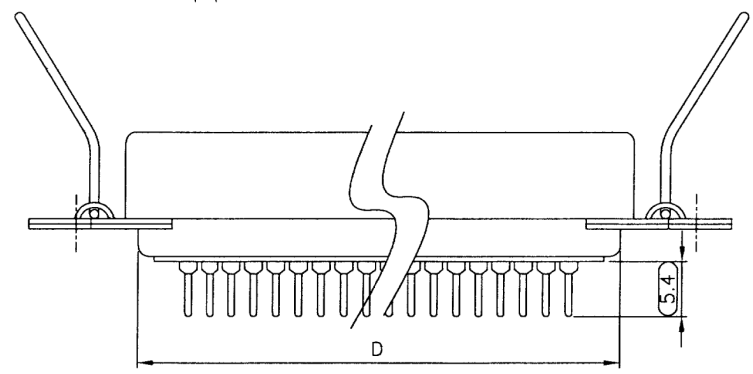
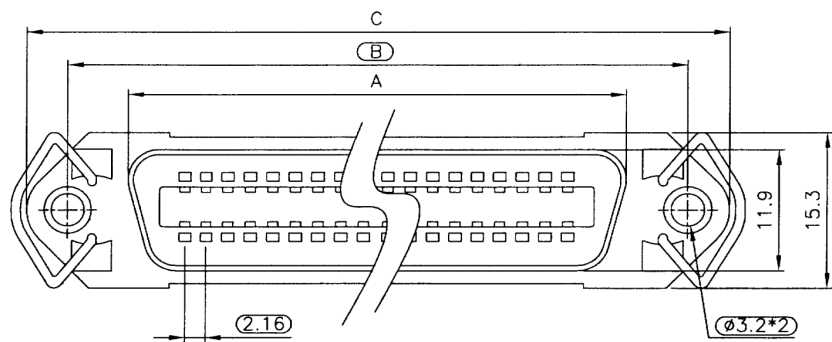
CHECKED: *pearl* 03/20/09

PRODUCT NO. 502AEXFXNBOOX

APPROVED: *Joe* 03/20/09

FILE NAME: 502AEXFXNBOOX(H2)

REV.	DESCRIPTION	DATE
B	ECN-0903137(Cathy)CHANGE OUTLINE	03/20/09
A	ECN-0607179(Tiffany)	07/24/06



RECOMMENDED P.C.B LAYOUT(TOP VIEW)
TOLERANCES: ±0.05mm

SPECIFICATION
 MATERIAL
 Insulator: PBT+30% Glass Fiber(UL94V-0)
 ⚠ Contacts: Phosphor Bronze
 Shell: SPCC
 Rivet,Boardlock: Brass
 CONTACT PLATING
 Underplate: 50u" Nickel
 Contact Area: 1u"~30u" Selective Gold
 ⚠ Solder Tails Area: 100u" Tin(Lead Free)
 ELECTRICAL
 Current Rating: 1 Amps max.
 Contact Resistance: 25 milliohm max.
 Insulation Resistance: 3000 Megohm min @ 500 VDC
 Dielectric Withstanding Voltage: 1000 VAC / minute
 Temperature Range: -55°C TO +105°C
 Part no.

502 A X XX E X N C 0 0 X
 1 2 3 4 5 6 7 8 9 10 11

- 1.SERIES NO.
- 2.TYPE
A=Standard
- ⚠ 3.GREEN OPTION:
E=RoHS(Bright)
- 4.CONTACT NUMBER
36, 50
- 5.CONTACT TYPE
F=Female
- 6.CONTACT AREA PLATING
S=Gold Flash (Selective)
R=3u" Gold (Selective)
A=5u" Gold (Selective)
B=10u" Gold (Selective)
C=15u" Gold (Selective)
Q=20u" Gold (Selective)
D=30u" Gold (Selective)
- 7.SHELL PLATING
N=Nickel Plated
- 8.TYPE OPTION
C=Standard Type W/Latch
- 9.CONTACT ROW PITCH
0=4.0mm
- 10.FILL IT WITH "0"
- 11.INSULATOR COLOR
2=Blue
3=Black

POSITION	A	B	C	D
36F	48.90	59.70	67.70	46.60
50F	64.10	74.90	82.80	61.70



UNLESS OTHERWISE SPECIFIED TOLERANCE		MC-COMPONENTS
.0	±0.20	
.00	±0.15	
.000	±0.05	
SCALE: AS SHOWN	UNIT: mm	
DATE	DRAWN	DRAWN NAME:
03/17/09	JOE	CENTRONIC PCB STRAIGHT
03/22/05	CHECKED <i>pearl</i>	03/20/09
05/24/02	APPROVED <i>Joe</i>	03/30/09
	SIZE A4	REV. D
		PRODUCT NO: 502AEXFXNCOOX
		FILE NAME: 502AEXFXNCOOX(H2)

REV.	DESCRIPTION	DATE
D	ECN-0903112(Cathy) ⚠ (7,B)(7,E)	03/17/09
C	ECN-0503135(Pearl) ⚠ (7,E)(7,F)(7,G)	03/22/05
B	ECN-0205140(Joyce)	05/24/02