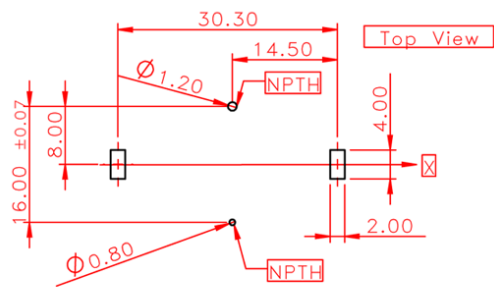
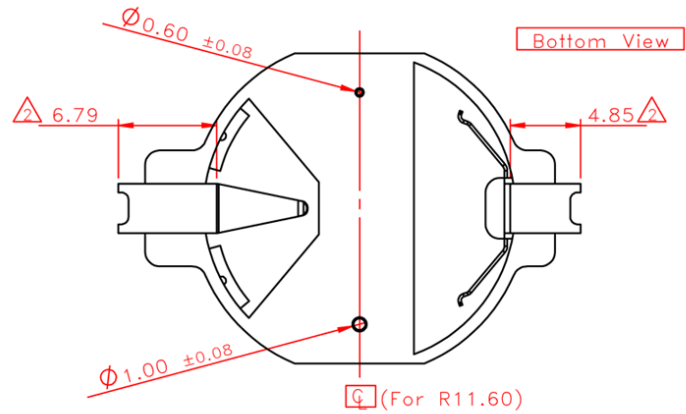
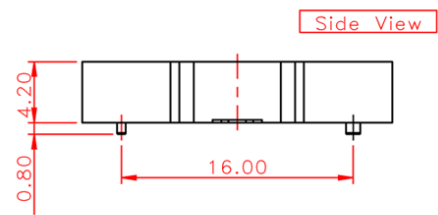
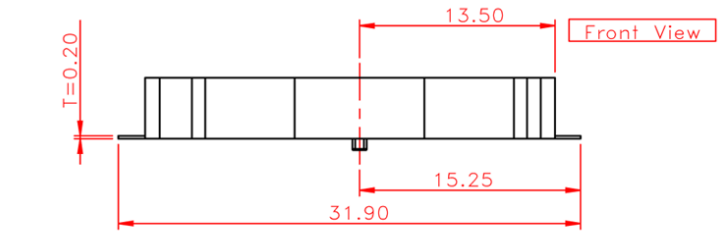


DATE CODE: 09 16
 YEAR EX.09=2009
 WEEK CODE

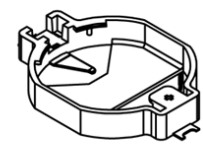


RECOMMENDED PCB LAYOUT TOLERANCES: ±0.05mm

SPECIFICATION
MATERIAL
 Insulator: Termal Plastic, Rated UL94V-0
 Contacts: Steel
CONTACT PLATING
 Underplate: 50u"~100u" Nickel
 Contact area: 1u" Gold
 Solder tails area: 1u" Gold
ELECTRICAL
 Operation voltage: 3 V
 Current rating: 120mA CR 2032
 Contact resistance: 100 mohms Max.
 Insulation resistance: 1000 Mohms min @ 500 VDC
 Dielectric withstanding voltage: 500 VAC / minute
 Temperature range: -40°C TO +80°C
 Mating cycles: 200 insertions

Part no.
 330 D G 02 P S S 03 0 0 C E
 1 2 3 4 5 6 7 8 9 101112

- 1.SERIES NO. 330=Battery Holder
- 2.D=SMT Type
- 3.GREEN OPTION: G=RoHS (Bright)(Halogen Free)
- 4.CONTACT NUMBER: 02=2 PINS
- 5.CONTACT TYPE: P=Non Distribution
- 6.CONTACT AREA PLATING: S=1u" GOLD
- 7.SOLDER TAILS AREA PLATING: S=1u" GOLD
- 8.APPLY TYPE: 03=03 Type
- 9.SHELL PLATING: 0=NO SHELL
- 10.FILL IT WITH "0":
- 11.PACKING STYLE: C=TAPE REEL
- 12.INSULATOR COLOR: E=Beige+DATE CODE



UNLESS OTHERWISE SPECIFIED TOLERANCE	
ANG.	±2°
0.	±0.50
.0	±0.30
.00	±0.20
SCALE: AS SHOWN	UNIT: mm

MC-COMPONENTS

X4	Add Dimension (2)(1.C)(1.F)(1.G)(4.C)	05/22/09	DRAWN Brian	05/22/09	DRAWN NAME: Battery Holder 03 Type
X3	Change Date Code (6.G)	04/30/09	CHECKED	/ /	PRODUCT NO. 330DG02PSS0300CE
X2	Change Surface	04/23/09	APPROVED	/ /	FILE NAME: C-330DG02PSS0300CE
REV.	DESCRIPTION	DATE	SIZE A4	REV. X4	