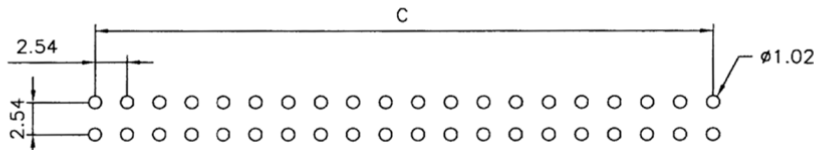
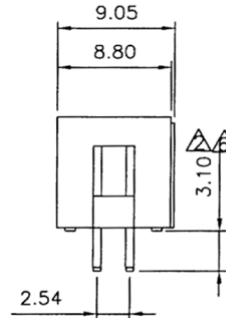
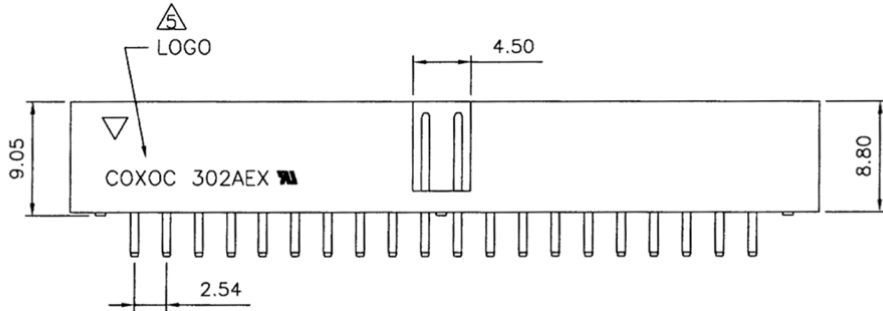
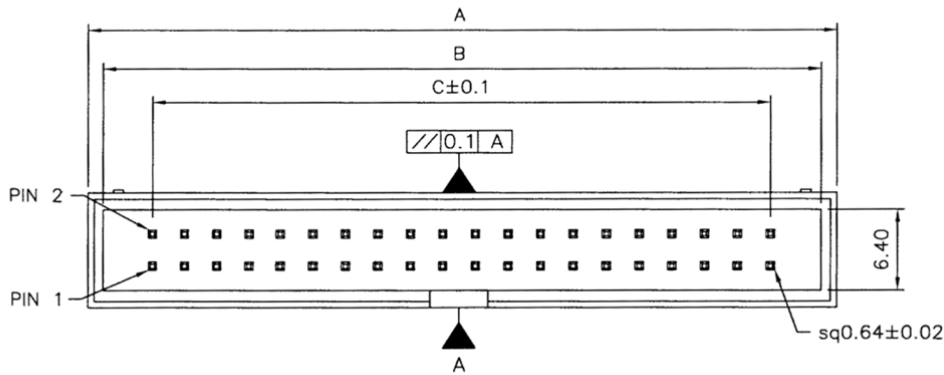




SPECIFICATION
MATERIAL
 Insulator: Thermal Plastic UL94V-0
 Contacts: Brass
 CONTACT PLATING
 Underplate: 50u" Nickel
 Contact Area: Gold Flash, Tin (Lead Free)
ELECTRICAL
 Current Rating: 3 Amps max.
 Contact Resistance: 20mΩ Max. at DC 100mA
 Insulation Resistance: 5000MΩ Min. at DC 500V
 Dielectric Withstanding Voltage: AC 500V For One Minute
 Temperature Range: -40°C To +105°C
 PART NO.

302 A E XX P X X S O X X
 1 2 3 4 5 6 7 8 9 10 11

- | | |
|--------------------------|----------------------|
| 1. SERIES NO. | 7. FUNCTION: |
| 2. TYPE | A=PCB Dip Type(PBT) |
| A=Standard | C=PCB Dip Type(PA6T) |
| 3. GREEN OPTION: | E=PCB Dip Type(PA9T) |
| E=RoHS(Bright) | 8. DIP FUNCTION: |
| 4. CONTACT NUMBER: | S=180° |
| 5. CONTACT TYPE: | 9. BODY OPTION: |
| P=Non Distribution | 0=Standard (Dip) |
| 6. CONTACT PLATING: | 10. PIN OPTION |
| T=Tin Plated | 0=Fully Loaded |
| G=Gold Flash | G=Pin#2 Removed |
| S=Gold Flash (Selective) | D=Pin#5 Removed |
| A=5u" Gold (Selective) | 11. INSULATOR COLOR: |
| B=10u" Gold (Selective) | 3=Black |
| C=15u" Gold (Selective) | 4=Gray |
| D=30u" Gold (Selective) | C=Black+Logo |
| | D=Gray+Logo |



RECOMMENDED P.C.B LAYOUT
 TOLERANCES: ±0.05mm

LOGO: COXOC 302AEX
 GREEN OPTION:
 CONTACT PLATING

POSITION	A	B	C
06P	15.20	12.80	5.08
08P	17.78	15.48	7.62
10P	20.30	17.90	10.16
12P	22.84	20.44	12.70
14P	25.38	22.98	15.24
16P	27.92	25.52	17.78
20P	33.00	30.60	22.86
24P	38.08	35.68	27.94
26P	40.62	38.22	30.48
30P	45.70	43.30	35.56
34P	50.80	48.40	40.64
40P	58.40	56.00	48.26
44P	63.48	61.20	53.34
50P	71.10	68.70	60.96
56P	78.72	76.32	68.58
60P	83.80	81.40	73.66
64P	88.88	86.68	78.74

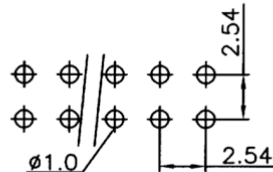
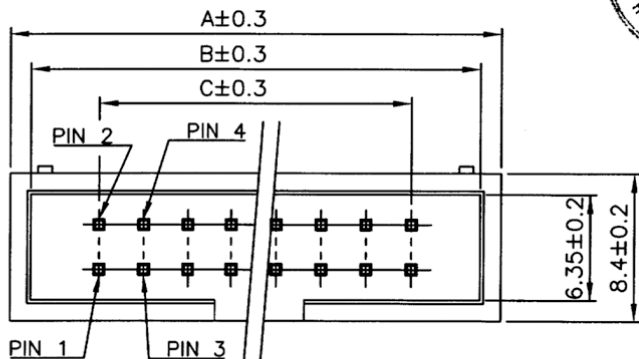


UNLESS OTHERWISE SPECIFIED TOLERANCE	
ANG.	±3°
.0	±0.30
.00	±0.20

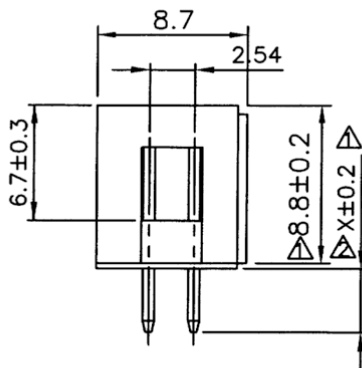
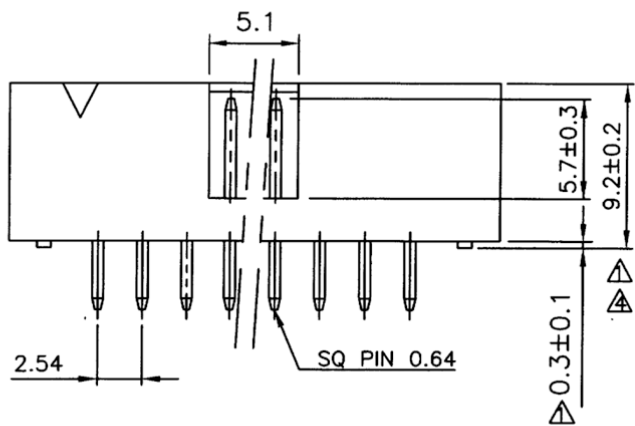
SCALE: AS SHOWN UNIT: mm

MC-COMPONENTS

H	ECN-0812066(Carol) (7,D)(7,E)	12/09/08	DRAWN	JOE	12/09/08	DRAWN NAME:	BOX HEADER (PITHC: 2.54mm)
G	ECN-0811179(Sylvia) (2,E)(6,C)(7,E)(7,G)(9,D)	11/20/08	CHECKED	peav	12/09/08	PRODUCT NO.	302AEXPXSOXX
F	ECN-0701198(Ariel) (9,D)	01/29/07	APPROVED	Joe	12/09/08	FILE NAME:	302AEXPXASOXX(P)
REV.	DESCRIPTION	DATE	SIZE	REV.			
1			A4	H			



RECOMMENDED P.C.B. HOLE PATTERN
TOLERANCES: ±0.05mm



Material and Finish:
 1. Insulator Material: PA6T, UL94V-0
 2. Contact Material: Brass
 3. Contact Plated: Gold Plated Over Nickel.
 4. Current Rating: 3 AMP Max.
 5. Insulation Resistance: 5000 Mohms Min. at DC 500V.
 6. Operating Temperature: -40°C to +105°C

PART NO.

302 A E XX P X C S O X 3
 1 2 3 4 5 6 7 8 9 10 11

- | | |
|-------------------------------------|-------------------------------|
| 1. SERIES NO. | 7. FUNCTION: |
| 2. TYPE | C=PCB DIP TYPE(PA6T) |
| A=Standard | 8. DIP FUNCTION: |
| 3. ENVIRONMENT PROTECTION MATERIAL. | S=180° |
| E=RoHS | 9. BODY OPTION: |
| 4. CONTACT NUMBER: | 0=Standard (DIP) |
| 5. CONTACT TYPE: | 10. CONTACT OPTION: |
| P=Non Distribution | △0=Fully Loaded(Dip 3.3mm) |
| 6. CONTACT PLATING: | A=Pin #20 Removed (Dip 3.3mm) |
| G=Gold Flash | △J=Fully Loaded(Dip 3.0mm) |
| △S=Gold Flash (Selective) | 11. INSULATOR COLOR: |
| A=5u" Gold (Selective) | 3=Black(DIP) |
| B=10u" Gold (Selective) | |
| C=15u" Gold (Selective) | |
| D=30u" Gold (Selective) | |

Position	A	B	C
10	20.34	18.10	10.16
12	22.84	20.64	12.70
14	25.48	23.18	15.24
16	27.90	25.72	17.78
20	33.05	30.80	22.86
24	38.08	35.88	27.94
26	40.68	38.42	30.48
30	45.70	43.50	35.56
34	50.80	48.58	40.64
40	58.46	56.20	48.26
44	63.48	61.28	53.34
50	71.10	68.90	60.96
56	78.72	76.52	68.58
60	83.80	81.60	73.66
64	89.10	86.68	78.74



UNLESS OTHERWISE SPECIFIED TOLERANCE	
ANG.	±3°
.0	±0.30
.00	±0.30

MC-COMPONENTS

SCALE: AS SHOWN UNIT: mm

DRAWN PEARL 06/19/08

CHECKED Cherry 06/19/08

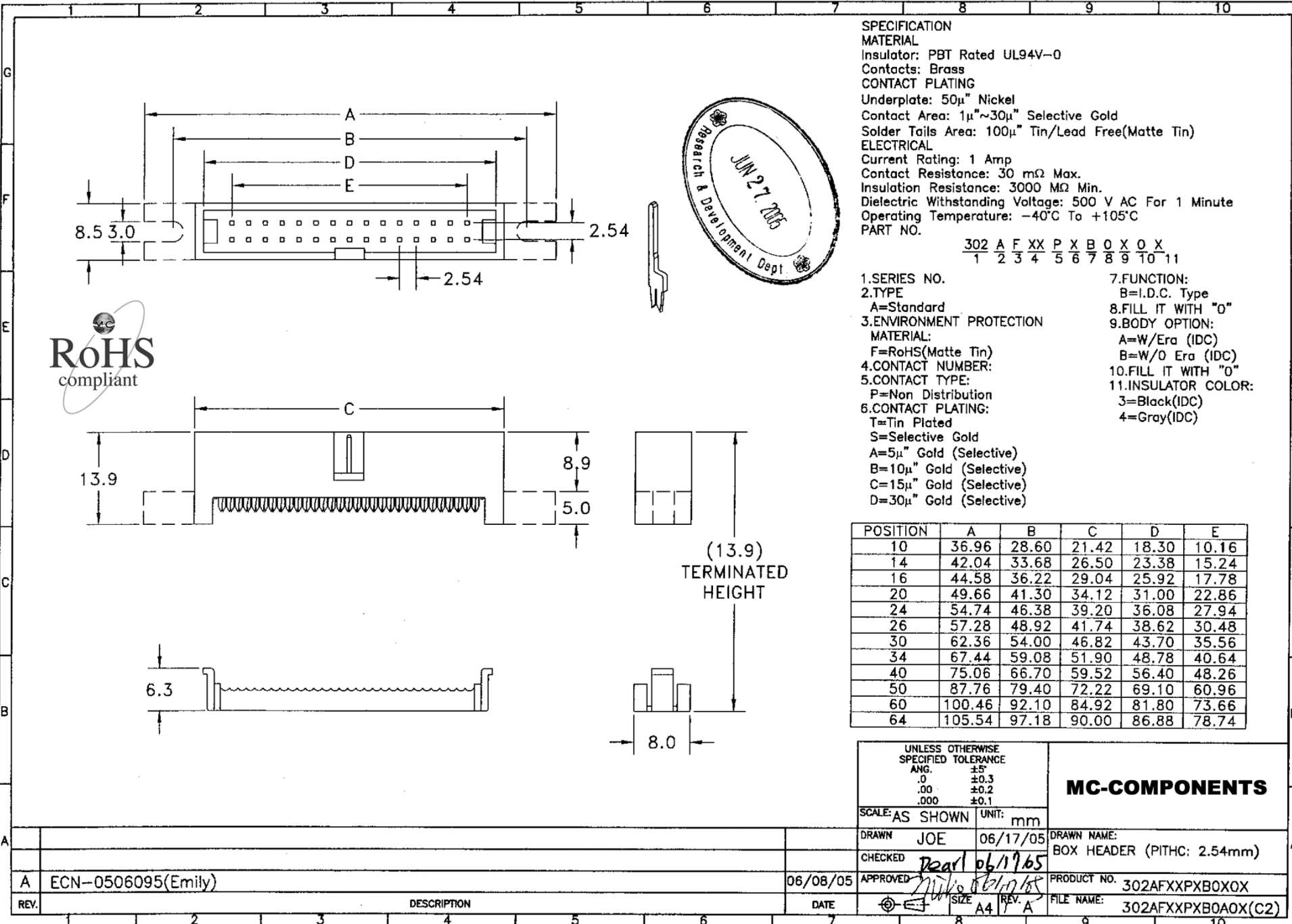
APPROVED Joe 06/19/08

DRAWN NAME: BOX HEADER (PITHC: 2.54mm)

PRODUCT NO. 302AEXXPXCSOX3

FILE NAME: 302AEXXPXCS003(25)

REV.	DESCRIPTION	DATE	REV.	DESCRIPTION	DATE
F	ECN-0801297(Jocelyn) △(7,E)	01/28/08			
E	ECN-0801231(Jocelyn) △(6,C)(9,E)	01/21/08			
D	ECN-0512024(Jessica) △(4,C)(6,C)	12/05/05	G	ECN-0806143(Jocelyn) △(4,C)(9,E)	06/17/08



SPECIFICATION
MATERIAL
 Insulator: PBT Rated UL94V-0
 Contacts: Brass
CONTACT PLATING
 Underplate: 50µ" Nickel
 Contact Area: 1µ"~30µ" Selective Gold
 Solder Tails Area: 100µ" Tin/Lead Free(Matte Tin)
ELECTRICAL
 Current Rating: 1 Amp
 Contact Resistance: 30 mΩ Max.
 Insulation Resistance: 3000 MΩ Min.
 Dielectric Withstanding Voltage: 500 V AC For 1 Minute
 Operating Temperature: -40°C To +105°C
PART NO.

302 A F XX P X B O X O X
 1 2 3 4 5 6 7 8 9 10 11

- 1.SERIES NO.
- 2.TYPE
A=Standard
- 3.ENVIRONMENT PROTECTION
MATERIAL:
F=RoHS(Matte Tin)
- 4.CONTACT NUMBER:
- 5.CONTACT TYPE:
P=Non Distribution
- 6.CONTACT PLATING:
T=Tin Plated
S=Selective Gold
A=5µ" Gold (Selective)
B=10µ" Gold (Selective)
C=15µ" Gold (Selective)
D=30µ" Gold (Selective)
- 7.FUNCTION:
B=I.D.C. Type
- 8.FILL IT WITH "0"
- 9.BODY OPTION:
A=W/Era (IDC)
B=W/O Era (IDC)
- 10.FILL IT WITH "0"
- 11.INSULATOR COLOR:
3=Black(IDC)
4=Gray(IDC)

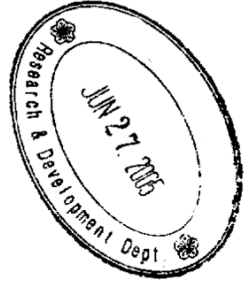
POSITION	A	B	C	D	E
10	36.96	28.60	21.42	18.30	10.16
14	42.04	33.68	26.50	23.38	15.24
16	44.58	36.22	29.04	25.92	17.78
20	49.66	41.30	34.12	31.00	22.86
24	54.74	46.38	39.20	36.08	27.94
26	57.28	48.92	41.74	38.62	30.48
30	62.36	54.00	46.82	43.70	35.56
34	67.44	59.08	51.90	48.78	40.64
40	75.06	66.70	59.52	56.40	48.26
50	87.76	79.40	72.22	69.10	60.96
60	100.46	92.10	84.92	81.80	73.66
64	105.54	97.18	90.00	86.88	78.74

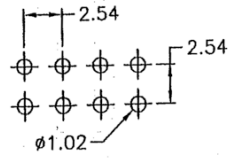
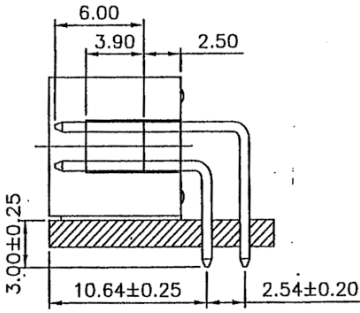
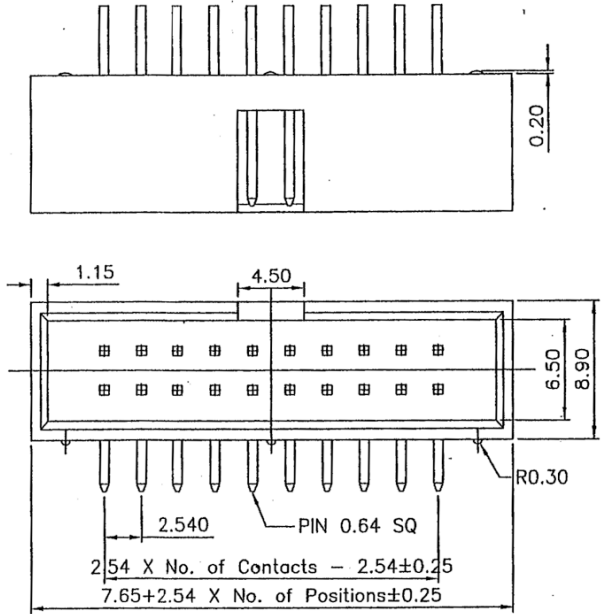
UNLESS OTHERWISE SPECIFIED TOLERANCE	
ANG.	±.5
.0	±0.3
.00	±0.2
.000	±0.1
SCALE: AS SHOWN	UNIT: mm

MC-COMPONENTS

DRAWN	JOE	06/17/05	DRAWN NAME:	
CHECKED	<i>Dearl</i>	<i>06/17/05</i>	BOX HEADER (PITHC: 2.54mm)	
APPROVED	<i>[Signature]</i>		PRODUCT NO.	302AFXXPXBOXOX
DATE	06/08/05		FILE NAME:	302AFXXPXBOAOX(C2)

REV.	A	ECN-0506095(Emily)	DESCRIPTION		DATE	06/08/05
------	---	--------------------	-------------	--	------	----------





RECOMMENDED P.C.B. LAYOUT
TOLERANCES: ±0.05mm



Specifications
 Current Rating: 3Amp
 Insulation Resistance: 1000MΩ Min.
 Dielectric Withstanding: 600VAC
 Contact Resistance: 20mΩ Max.
 Operating Temperature: -40°C to +105°C

Materials
 Contact Material: Copper alloy
 Insulation Material: Polyester, UL94V-0
 PBT
 All materials must be GP materials

PART NO.
 302 A E XX P X A R Q Q X
 1 2 3 4 5 6 7 8 9 10 11

- | | |
|--------------------------|---------------------|
| 1.SERIES NO. | 7.FUNCTION: |
| 2.TYPE | A=PCB Dip Type |
| A=Standard | 8.DIP FUNCTION: |
| 3.ENVIRONMENT PROTECTION | R=90° |
| MATERIAL: | 9.BODY OPTION: |
| E=RoHS | 0=Standard (DIP) |
| 4.CONTACT NUMBER: | 10.FILL IT WITH "0" |
| 5.CONTACT TYPE: | 11.INSULATOR COLOR: |
| P=Non Distribution | 3=Black |
| 6.CONTACT PLATING: | 4=Gray |
| T=Tin Plated | |
| G=Gold Flash | |
| S=Gold Flash (Selective) | |
| A=5u" Gold (Selective) | |
| B=10u" Gold (Selective) | |
| C=15u" Gold (Selective) | |
| D=30u" Gold (Selective) | |



UNLESS OTHERWISE SPECIFIED TOLERANCE	
ANG.	±5°
.0	±0.38
.00	±0.25
.000	±0.13

MC-COMPONENTS

SCALE: AS SHOWN UNIT: mm

DRAWN JOE 12/28/06

CHECKED *pearl* 12/28/06

APPROVED *Mark* 12/28/06

DRAWN NAME:
BOX HEADER (PITHC: 2.54mm)

PRODUCT NO. 302AEXXPXAR00X

FILE NAME: 302AEXXPXAR00X(Q3)

REV.	DESCRIPTION	DATE
A	DRA-0612013(Emily)	12/22/06