

SPECIFICATION

MATERIAL

Insulator: NYLONT 6T
 Contacts: Phosphor bronze
 Shell: steel
 Rivet,Boardlock: Copper alloy (Tin or Nickel plated)

CONTACT PLATING

Contact area: Gold flash
 Solder tails: 100u" Tin over 40u" Nickel

ELECTRICAL

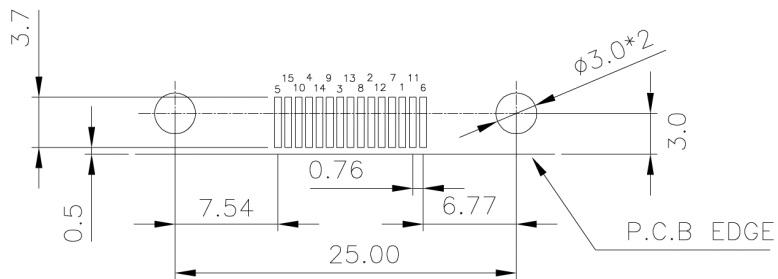
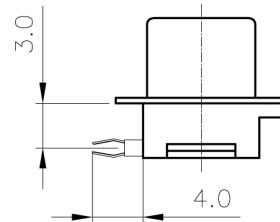
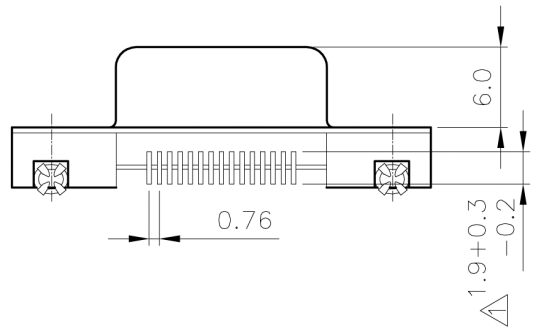
Current rating: 2.5 Amps max.
 Contact resistance: 15 mohms
 Insulation resistance: 3000 Mohms min @ 500 VDC
 Dielectric withstanding voltage: 1000 VAC / minute
 Operating temperature: -55°C TO +105°C

Part no.

108 D - 15 E X X U B X 3
 1 2 3 4 5 6 7 8 9 10

- 1.SERIES NO.
- 2.TYPE: D=S.M.T.
- 3.CONTACT NUMBER:
15
- 4=CONTACT TYPE
F=FEMALE
- 5.CONTACT PLATING:
G=gold flash
S=selective gold
A=5μ" gold (selective)
B=10μ" gold (selective)
C=15μ" gold (selective)
D=30μ" gold (selective)
- 6.SHELL PLATING
T=TIN
N=NICKEL
Z=ZINC (CHROMATIC)

- 7.PROCESS OPTION
U=4-PRONG BOARDLOCK
- 8.PARTS OPTION
B=4#40 THREAD RIVET
- 9.PARTS DIMENSION
A=NON ACCESSORIES
B=LOOSE HEX-SCREWS
(4.8x11.8mm)
D=LOOSE HEX-SCREWS
(5.8x12.0mm)
- 10.INSULATOR:
3=Black



RECOMMENDED P.C.B LAYOUT (TOP VIEW)
 TOLERANCES: ±0.10mm



UNLESS OTHERWISE SPECIFIED TOLERANCE		MC-COMPONENTS
ANG.	±5°	
0.	±0.5	
.0	±0.3	
.00	±0.2	
SCALE: AS SHOWN	UNIT: mm	
DRAWN PEARL	03/01/01	DRAWN NAME: HIGH DENSITY D-SUB PCB RIGHT ANGLE FOR NOTEBOOK
CHECKED	/ /	PRODUCT NO. 108D-15FXXUBX3
APPROVED	/ /	FILE NAME: 108D-15FXXUBA3

REV.	DESCRIPTION	DATE
B	ECN-0103006	/ /
A		03/01/01
		01/08/98