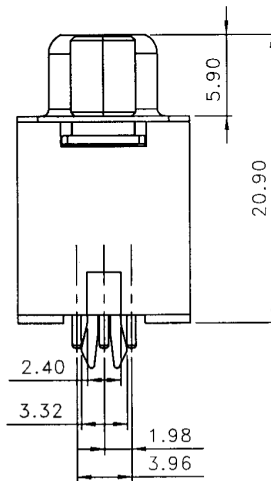
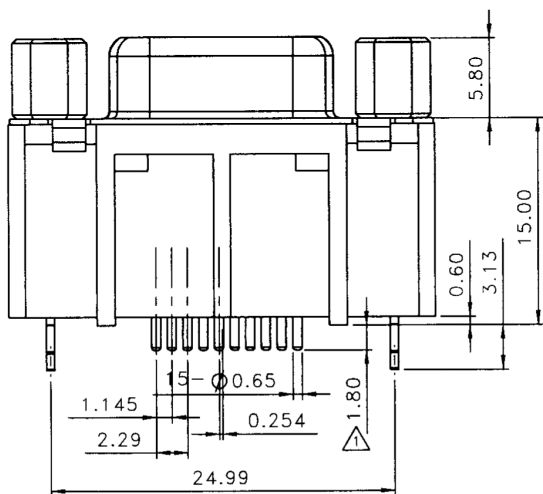


RECOMMENDED P.C.B LAYOUT (COMPONENT SIDE)
GENERAL TOLERANCE : ±0.05mm



SPECIFICATION

MATERIAL

Insulator: Thermoplastic, rated UL94V-0

Contacts: Copper Alloy

Shell: Steel

CONTACT PLATING

Underplate: 50u"~100u" Nickel

Contact area: 3u" Selective gold

Solder tails area: 100u"~200u" Tin (Lead Free)

ELECTRICAL

Operation voltage: 250 V

Current rating: 2.5 Amps max.

Contact resistance: 25 mohms initial

Insulation resistance: 3000 Mohms min @ 500 VDC

Dielectric withstanding voltage: 500 VAC / minute

Temperature range: -55°C TO +85°C

Part no.

102 F G 15 F R T 01 N 2 A 2
1 2 3 4 5 6 7 8 9 10 11 12

1.SERIES NO.

102=D-SUB

2.F=SMT Type

3.GREEN OPTION:

--General

E=RoHS (Bright)

G=RoHS (Bright)(Halogen free)

4.CONTACT NUMBER:

15=15 PINS

5.CONTACT TYPE:

F=FEMALE

6.CONTACT AREA PLATING:

R=3u" GOLD

7.SOLDER TAILS AREA PLATING:

T=100u"~200u" TIN(Lead Free)

8.APPLY TYPE:

01=L-Shape Type

9.SHELL PLATING:

N=Plating Nickel

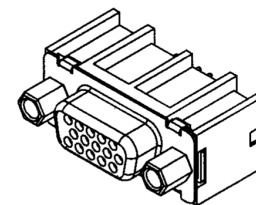
10.2=With SCREW(Solder tail 1.8mm)

11.PACKING STYLE:

A=TRAY

12.INSULATOR COLOR:

2=Blue



UNLESS OTHERWISE SPECIFIED TOLERANCE	
ANG.	±5°
0.	±0.50
.0	±0.30
.00	±0.20

MC-COMPONENTS

REV.	DESCRIPTION	DATE	SIZE	REV.	FILE NAME:
X2	△ REVISED THE LENGTH OF SOLDER TAIL (3,B)	11/03/09	A4	X2	C-102FG15FR101N2A2
X1		10/31/09			

SCALE: AS SHOWN	UNIT: mm	MC-COMPONENTS
DRAWN JASON	11/03/09	
CHECKED	/	
APPROVED	/	DRAWN NAME: D-SUB 15P Female Straight H/D With SCREW
		PRODUCT NO. 102FG15FR101N2A2
		FILE NAME: C-102FG15FR101N2A2