

REV.	DATE	ECN COMMENTS
1.5	2006/08/10	Modify DIMENSION ▲

[07005] SERIES

Battery Holder, For 2032 Battery,
Low Profile Type 5

Physical:

Housing: PBT, UL 94V-1

Contact: Copper Alloy

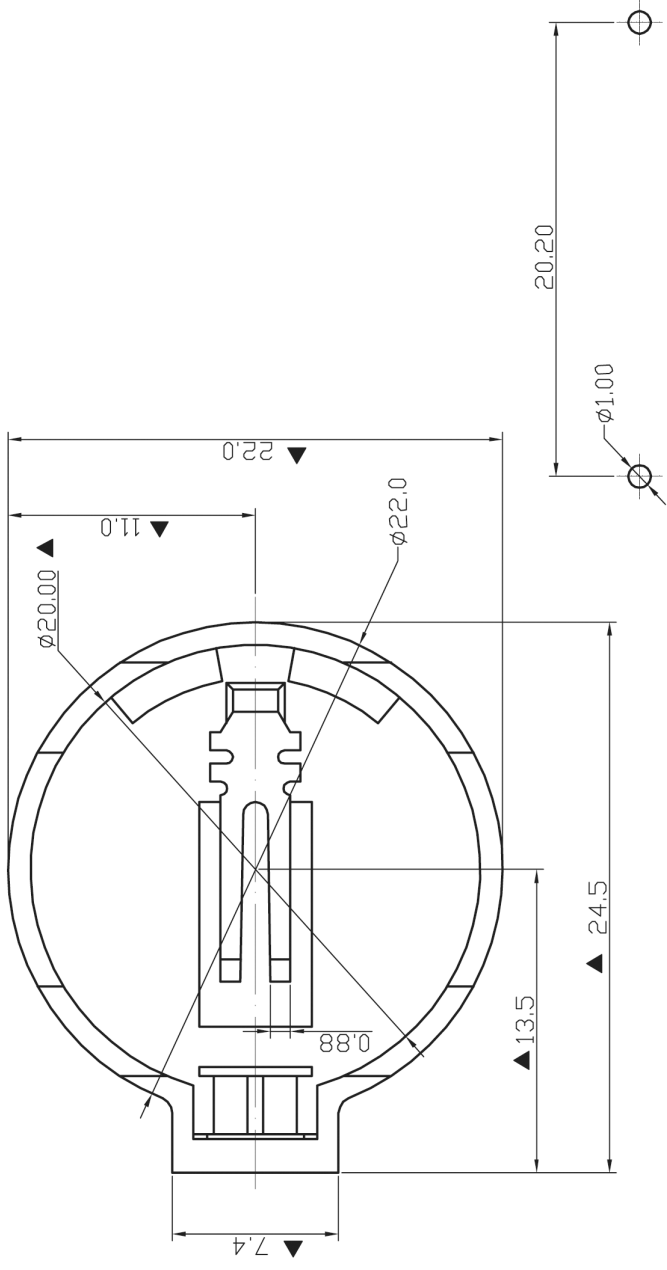
Specifications:

- Voltage Current Rating:** 2A, 500V AC
- Insulation Resistance:** 1000M ohm min
- Contact Resistance:** 20m ohm max
- Dielectric Withstanding Voltage:**
AC 500V For 1 Minute
- Temperature Rating:** -55°C To +125°C
- Wave Soldering Temperature:**
Lead Part: 245±5°C, 5Sec
RoHS Part: 260±5°C, 5Sec

ORDERING CODE:

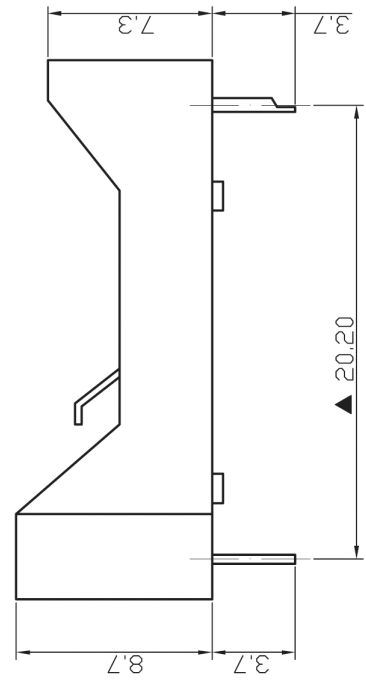
07005 00 X -LF
1 2 3 4

- 1. SERIES NO.
- 2. PLATED
00=TIN PLATED
- 3. MATERIAL
2=PBPT
- 4. PRODUCT'S STATUS
NON-SHOWED=STANDARD TYPE
LF=RoHS COMPLIANT



TOP VIEW

PCB LAYOUT RECOMMENDED



CUSTOMER COPY



MC-COMPONENTS

REV.	DATE	APPD.	CHR.	DR.	TOLERANCE UNLESS OTHERWISE SPECIFIED
1.0	2003/08/30	DENNIS	DAVID	MAY	LINEAR 0.0±0.25
1.4	2006/01/13	DENNIS	LSQ	LSQ	0.00±0.15
1.5	2006/08/10	DENNIS	DDP	FXF	ANGLES ±3

TITLE	BATTERY HOLDER
DWG NO.	07005002
SCALE	1:1 SHEET 1 OF 1

UNIT:mm

SIZE: A4